



Sturdy, quality, and reliable warning lights featuring a high degree of customization. They are used in many industrial and automotive markets.

FEATURES

- Suitable for many industrial and automotive markets.
- IP protection degree: they are classified IP65.
- Bodies made of ABS providing great resistance to impacts and vibrations.
- Featuring polycarbonate lenses for a better and powerful light transmission and diffusion.
- Extreme temperature resistance: -20°C to +50°C.
- All materials and components used are wear resistant and guarantee protection of the unit against water and dust.

OPTIONS

- High degree of customization and different solutions available for each kind of market: stack lights, signal beacons, warning horns, RGB warning lights, LED warning horns, electronic sirens, obstruction lights and heavy-duty warning lights.
- Available with SMD or POWER LEDs for a long-lasting light quality.

PRODUCT FAMILIES

- Stack lights (page 2).
- Multicolour RGB warning lights (page 6).
- Universal signal beacons (page 11).
- LED warning horns (page 19).
- Beacon horns (page 25).
- Electronic sirens (page 30).
- Obstruction lights (page 33).
- Heavy duty warning lights (page 38).
- Crane & forklift safety lights (page 42).
- Machine tool lights (page 44).
- Motor and alarm sirens (page 45).

CERTIFICATIONS

- CE marking and EAC certification.
- RoHS and E37* homologation.

* Not available on all versions.

STACK LIGHTS

Suitable for the status indication in industrial manufacturing and process control environments, where a local audio and video signal is required.

They are used on a wide range of machineries and process control environments.

A specific colour-coding is usually assigned by the System Designer and the most used colour codes for the status indication generally include red, yellow, green, blue, white.

- Red: failure conditions (i.e. emergency stop, machine fault, etc.).
- Yellow: warnings (i.e. over-temperature, over-pressure, etc.).
- Green: normal machine or process operation.
- Blue: external intervention request (i.e. request for raw material, programming or maintenance personnel, etc.).
- White: user-defined conditions related to a specific machine, often referring to productivity monitoring.



CERTIFICATIONS

Conformity to Community Directives	2014/35/UE Low Voltage Directive
Conformity to CE Standards	EN 60598-1 Luminaires - General requirements and tests
	EN 60529-1 Degrees of protection provided by enclosures
Markings and homologations	CE ENEC RoHS

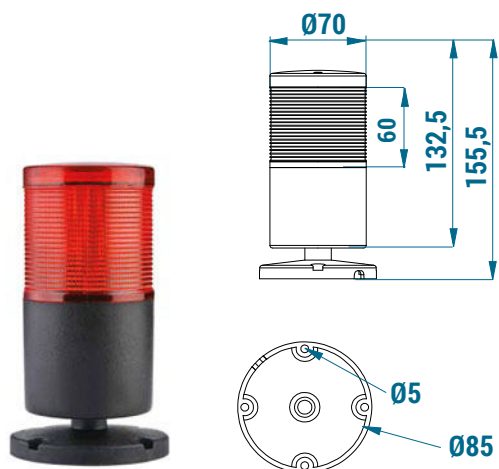
GENERAL TECHNICAL SPECIFICATIONS

Ambient temperature	Operational -20°C/+50°C
IP protection degree	IP 65
Materials	Lens: Polycarbonate
	Housing: ABS
LED module type	SMD
LED life duration	50,000 hrs
Light colours	Red, green, yellow, blue, white
Layers	Available from 1 to 5
Light modes	Steady, flashing, strobing, rotary
Voltage options	12-24 V AC/DC
	24 V/DC
	40-250 V AC/DC
	220 V/AC
Sound	2 melodies
Volume	103 - 116 dB
Sound and Light control	Separate control available
Mounting types	Surface & wall
Protection	Resistant to water, dust, heat and UV rays
Warranty	2 Years

OVERALL DIMENSIONS (mm)

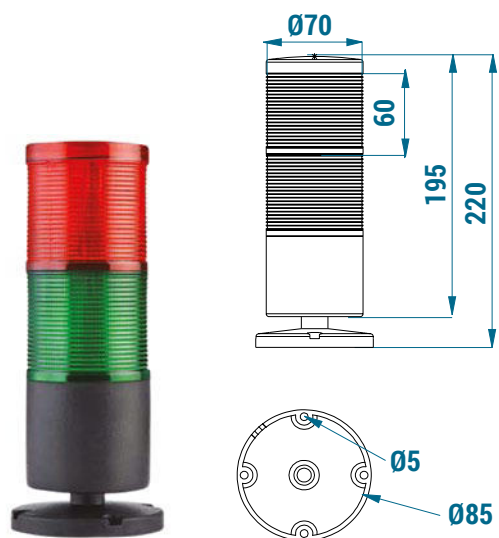
Stack lights (1 colour)

Light colours: Red, Green, Yellow, Blue, White



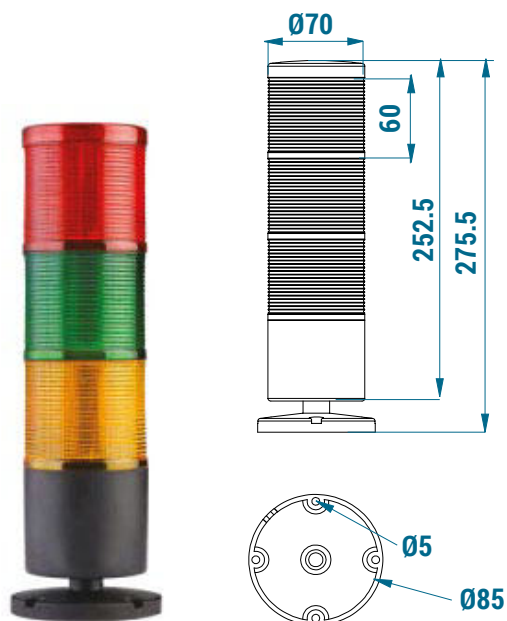
Stack lights (2 colours)

Standard colour range: Red - Green



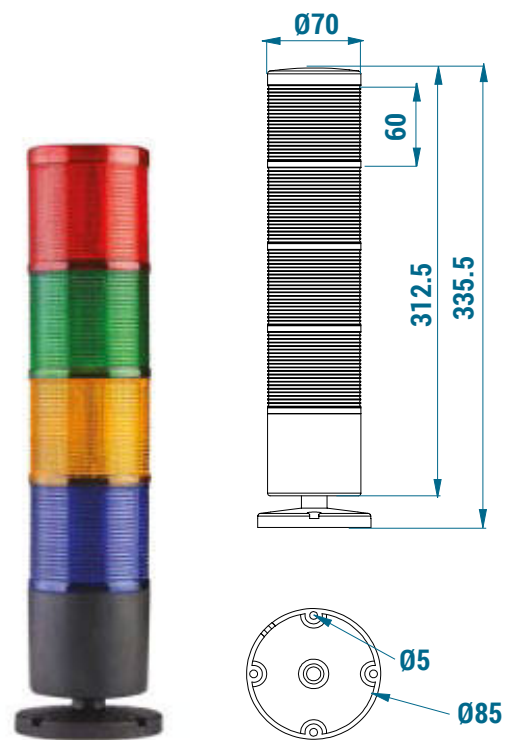
Stack lights (3 colours)

Standard colour range: Red - Green - Yellow



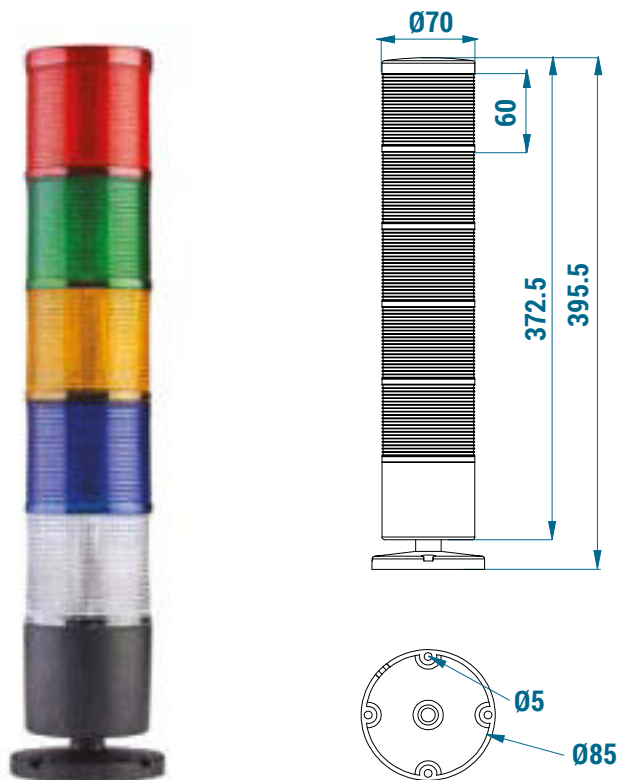
Stack lights (4 colours)

Standard colour range: Red - Green - Yellow - Blue



Stack lights (5 colours)

Standard colour range: Red - Green - Yellow - Blue - White



STACK LIGHTS - SPARE PARTS

Description	Colour	Code
Steady LED module	Red	TERMSP0301R
Steady LED module	Green	TERMSP0301G
Steady LED module	Yellow	TERMSP0301Y
Steady LED module	Blue	TERMSP0301B
Steady LED module	White	TERMSP0301W
Strobe-Rotary LED module	Red	TERMSP0300R
Strobe-Rotary LED module	Green	TERMSP0300G
Strobe-Rotary LED module	Yellow	TERMSP0300Y
Strobe-Rotary LED module	Blue	TERMSP0300B
Strobe-Rotary LED module	White	TERMSP0300W
$\text{Ø}70$ PC-Lens cover	Red	TERMSP0105R
$\text{Ø}70$ PC-Lens cover	Green	TERMSP0105G
$\text{Ø}70$ PC-Lens cover	Yellow	TERMSP0105Y
$\text{Ø}70$ PC-Lens cover	Blue	TERMSP0105B
$\text{Ø}70$ PC-Lens cover	Transparent	TERMSP0105W
$\text{Ø}70$ PC-Lens	Red	TERMSP0104R
$\text{Ø}70$ PC-Lens	Green	TERMSP0104G
$\text{Ø}70$ PC-Lens	Yellow	TERMSP0104Y
$\text{Ø}70$ PC-Lens	Blue	TERMSP0104B
$\text{Ø}70$ PC-Lens	Transparent	TERMSP0104W
ABS Surface bracket	Black	TERMSP0500
ABS Foldable base	Black	TERMSP0501
ABS Wall bracket	Black	TERMSP0502

STACK LIGHTS - SPARE PARTS

Description	Colour	Code
10 cm Metal extension tube	Grey	TERMSP0800T10
20 cm Metal extension tube	Grey	TERMSP0800T20
30 cm Metal extension tube	Grey	TERMSP0800T30
Metal wall bracket	Black	TERMSP0604

STACK LIGHTS - STANDARD CODES



Number of colours
1 = 1 colour
2 = 2 colours
3 = 3 colours
4 = 4 colours
5 = 5 colours

Light modes and buzzer
A = Steady lights - no buzzer
B = Flashing lights - no buzzer
C = Strobe lights - no buzzer
D = Rotary lights - no buzzer
E = Steady lights - with buzzer
F = Flashing lights - with buzzer
G = Strobe lights - with buzzer
H = Rotary lights - with buzzer

Power supply
1 = 12-24 V AC/DC
2 = 24 VDC
3 = 40-250 V AC/DC
4 = 220 V AC

Mounting Options*
00 = Surface bracket
01 = Surface bracket + 10 cm tube
02 = Surface bracket + 20 cm tube
03 = Surface bracket + 30 cm tube
04 = Foldable base
05 = Foldable base + 10 cm tube
06 = Foldable base + 20 cm tube
07 = Foldable base + 30 cm tube
08 = Wall bracket
09 = Wall bracket + 10 cm tube
10 = Wall bracket + 20 cm tube
11 = Wall bracket + 30 cm tube

Light colours
R = Red
G = Green
Y = Yellow
B = Blue
W = White

Indicate the sequence of colours required on the base of the number of colours. The first colour is on top. Bear in mind that the maximum number of colours is 5, so if you need a lower number of colours, you will have to fill in the remaining characters of the code with the letter "X".

Please, see the example above: choosing 3 colours, you have to fill in the remaining characters of the code with 2 letters "X".

***Mounting Options**



Surface bracket
(spare part code TERMSP0500)



Foldable base
(spare part code TERMSP0501)



Wall bracket
(spare part code TERMSP0502)

Instructions

Fill in the boxes with the numbers/letters corresponding to the specifications required, thus obtaining the stack light code, as shown in the example below.



MULTICOLOUR RGB WARNING LIGHTS

High-quality and energy efficient indicators providing different colour options by mixing the primary colours (red, green and blue) featuring the order priority red – green – blue - yellow.

Featuring a potentiometer to adjust the volume intensity and a pushbutton for selecting between the different available light and sound versions.

Suitable to be connected to a PLC.



CERTIFICATIONS

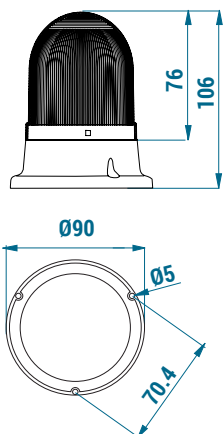
Conformity to Community Directives	2014/35/UE Low Voltage Directive
Conformity to CE Standards	EN 60598-1 Luminaires - General requirements and tests
	EN 60529-1 Degrees of protection provided by enclosures
Markings and homologations	CE ENEC RoHS

GENERAL TECHNICAL SPECIFICATIONS

Ambient temperature	Operational -20°C/+50°C
IP protection degree	IP 65
Materials	Lens: Polycarbonate
	Housing: ABS
LED module type	SMD
LED life duration	50,000 hrs
Light colours	Red-green-yellow-blue
	Up to 7 different colours with RGB LED technology
Light modes	Steady, flashing, strobing
Voltage options*	12-24 V DC
	40-250 V AC/DC
Sound	16 melodies
Volume	70 - 130 dB
Sound and Light control	Separate control available
Mounting types	Surface & wall
Protection	Resistant to water, dust, heat and UV rays
Warranty	2 Years

STANDARD CODES AND OVERALL DIMENSIONS (mm)

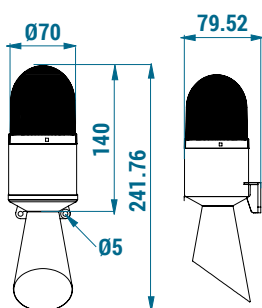
70 RGB Signal Beacons



Lens Ø	Type	Power supply*	Code
70 mm	3 modes lights	12-24 V DC	TERMWL0100
70 mm	3 modes lights + 77-98 dB buzzer	12-24 V DC	TERMWL0101

Mounting type: Surface & wall

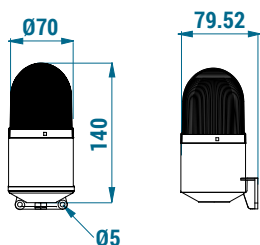
RGB LED Horns



Lens Ø	Type	Power supply*	Code
70 mm	3 modes lights + 106-130 dB buzzer	12-24 V DC	TERMWL0200
70 mm	3 modes lights + 106-130 dB buzzer	40-250 V AC/DC	TERMWL0201

Mounting type: wall

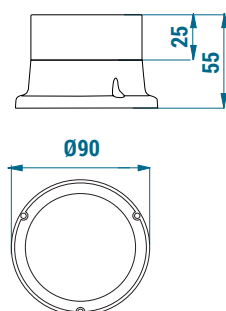
RGB Beacon Horns



Lens Ø	Type	Power supply*	Code
70 mm	3 modes lights + 93-120 dB buzzer	12-24 V DC	TERMWL0300
70 mm	3 modes lights + 93-120 dB buzzer	40-250 V AC/DC	TERMWL0301

Mounting type: wall

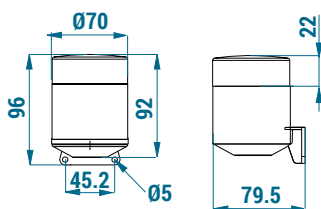
Mini RGB Signal Beacons



Lens Ø	Type	Power supply*	Code
70 mm	3 modes lights	12-24 V DC	TERMWL0400
70 mm	3 modes lights + 77-98 dB buzzer	12-24 V DC	TERMWL0401

Mounting type: Surface & wall

Mini RGB Beacon Horns

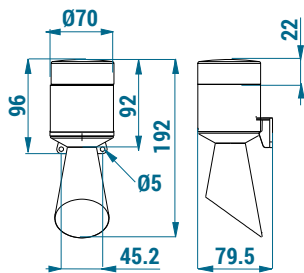


Lens Ø	Type	Power supply*	Code
70 mm	3 modes lights + 93-120 dB buzzer	12-24 V DC	TERMWL0500
70 mm	3 modes lights + 93-120 dB buzzer	40-250 V AC/DC	TERMWL0501

Mounting type: wall

* 24 V AC/DC on request

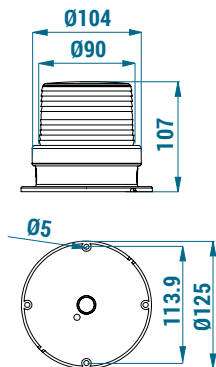
Mini RGB LED Horns



Lens Ø	Type	Power supply*	Code
70 mm	3 modes lights + 106-130 dB buzzer	12-24 V DC	TERMWL0600
70 mm	3 modes lights + 106-130 dB buzzer	40-250 V AC/DC	TERMWL0601

Mounting type: wall

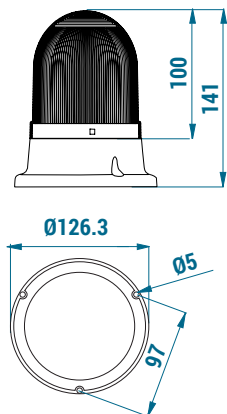
90 RGB Signal Beacons



Lens Ø	Type	Power supply*	Code
90 mm	3 modes lights	12-24 V DC	TERMWL0700
90 mm	3 modes lights + 93-120 dB buzzer	12-24 V DC	TERMWL0701
90 mm	3 modes lights	40-250 V AC/DC	TERMWL0702
90 mm	3 modes lights + 93-120 dB buzzer	40-250 V AC/DC	TERMWL0703

Mounting type: Surface & wall

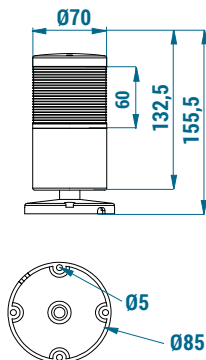
100 RGB Signal Beacons



Lens Ø	Type	Power supply*	Code
100 mm	3 modes lights	12-24 V DC	TERMWL0800
100 mm	3 modes lights + 93-120 dB buzzer	12-24 V DC	TERMWL0801
100 mm	3 modes lights	40-250 V AC/DC	TERMWL0802
100 mm	3 modes lights + 93-120 dB buzzer	40-250 V AC/DC	TERMWL0803

Mounting type: Surface & wall

RGB Stack Lights

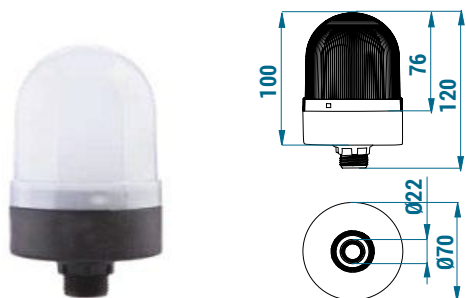


Lens Ø	Type	Power supply*	Code
70 mm	3 modes lights	12-24 V DC	TERMWL0900
70 mm	3 modes lights + 103-115 dB buzzer	12-24 V DC	TERMWL0901
70 mm	3 modes lights	40-250 V AC/DC	TERMWL0902
70 mm	3 modes lights + 103-115 dB buzzer	40-250 V AC/DC	TERMWL0903

Mounting type: Surface & wall

* 24 V AC/DC on request

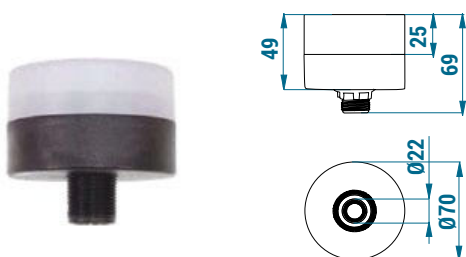
22 mm Hole Mounted RGB Signal Beacons



Lens Ø	Type	Tube	Power supply*	Code
70 mm	3 modes lights	/	12-24 V DC	TERMWL1000
70 mm	3 modes lights + 83-105 dB buzzer	/	12-24 V DC	TERMWL1001
70 mm	3 modes lights	10 cm	12-24 V DC	TERMWL1002
70 mm	3 modes lights + 83-105 dB buzzer	10 cm	12-24 V DC	TERMWL1003
70 mm	3 modes lights	20 cm	12-24 V DC	TERMWL1004
70 mm	3 modes lights + 83-105 dB buzzer	20 cm	12-24 V DC	TERMWL1005
70 mm	3 modes lights	30 cm	12-24 V DC	TERMWL1006
70 mm	3 modes lights + 83-105 dB buzzer	30 cm	12-24 V DC	TERMWL1007

Mounting type: M22 nut connection

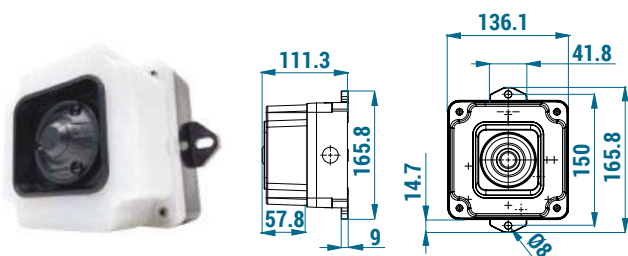
22 mm Hole Mounted Mini RGB Signal Beacons



Lens Ø	Type	Tube	Power supply*	Code
70 mm	3 modes lights	/	12-24 V DC	TERMWL1100
70 mm	3 modes lights + 83-105 dB buzzer	/	12-24 V DC	TERMWL1101
70 mm	3 modes lights	10 cm	12-24 V DC	TERMWL1102
70 mm	3 modes lights + 83-105 dB buzzer	10 cm	12-24 V DC	TERMWL1103
70 mm	3 modes lights	20 cm	12-24 V DC	TERMWL1104
70 mm	3 modes lights + 83-105 dB buzzer	20 cm	12-24 V DC	TERMWL1105
70 mm	3 modes lights	30 cm	12-24 V DC	TERMWL1106
70 mm	3 modes lights + 83-105 dB buzzer	30 cm	12-24 V DC	TERMWL1107

Mounting type: M22 nut connection

RGB Heavy Duty Beacon Sirens



Lens	Type	Power supply	Code
145 x 136 mm	Strobe, 7 Colours + 125-130 dB buzzer (7 melodies)	12-30 V AC/DC	TERMWL1200
145 x 136 mm	Strobe, 7 Colours + 125-130 dB buzzer (7 melodies)	48 V AC/DC	TERMWL1201
145 x 136 mm	Strobe, 7 Colours + 125-130 dB buzzer (7 melodies)	85-250 V AC/DC	TERMWL1202

Mounting type: wall

* 24 V AC/DC on request

MULTICOLOUR RGB WARNING LIGHTS - SPARE PARTS

Description	Colour	Code
Ø70 Mini PC-Lens	Transparent	TERMSP0106W
Ø70 PC-Lens	Transparent	TERMSP0103W
Ø90 PC-Lens	Transparent	TERMSP0102W
Ø100 PC-Lens	Transparent	TERMSP0101W
Ø70 Mini PC-Lens	Opaque	TERMSP0107
Ø70 PC-Lens	Opaque	TERMSP0108
Ø90 PC-Lens	Opaque	TERMSP0109
Ø100 PC-Lens	Opaque	TERMSP0110
10 cm Metal extension tube	Grey	TERMSP0800T10
20 cm Metal extension tube	Grey	TERMSP0800T20
30 cm Metal extension tube	Grey	TERMSP0800T30
10 cm Metal tube nut-connect	Grey-Black	TERMSP0801T10
20 cm Metal tube nut-connect	Grey-Black	TERMSP0801T20
30 cm Metal tube nut-connect	Grey-Black	TERMSP0801T30
ABS Surface bracket	Black	TERMSP0500
ABS Foldable base	Black	TERMSP0501
ABS Wall bracket	Black	TERMSP0502
Ø70 Metal wall bracket - nut connect	Black	TERMSP0605
Ø70 Metal wall bracket	Black	TERMSP0603
Ø90 Metal wall bracket	Black	TERMSP0602
Ø100 Metal wall bracket	Black	TERMSP0601
Ø90 Metal protection cage	Black	TERMSP0702
Ø100 Metal protection cage	Black	TERMSP0701

UNIVERSAL SIGNAL BEACONS

Multifunction signals featuring the possibility to cover several functions through a single beacon: in case of change of conditions, their function can be quickly and easily modified without buying a new device.

Depending on the model, the multifunction LED beacons can display up to 5 operating modes with the steady, flashing, strobe, rotating light functions.

Featuring a potentiometer to adjust the volume intensity and a pushbutton for selecting between the different available light and sound versions.

Available both in the version with Power and SMD LEDs, with a different number of LEDs depending on the model: the high-performance version is equipped with 5x3W Power LEDs and the other models with 45 SMD LEDs.

The Power LEDs produce light for longer distances by their angular light characteristics while the SMD LEDs guarantee a more diffused light.



CERTIFICATIONS

Conformity to Community Directives	2014/35/UE Low Voltage Directive
Conformity to CE Standards	EN 60598-1 Luminaires - General requirements and tests
	EN 60529-1 Degrees of protection provided by enclosures
Markings and homologations	CE EAC RoHS E37*

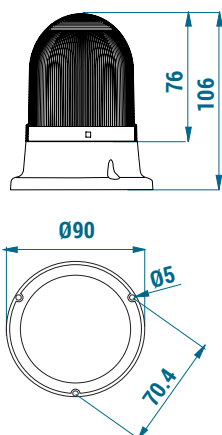
GENERAL TECHNICAL SPECIFICATIONS

Ambient temperature	Operational -20°C/+50°C
IP protection degree	IP 65
Materials	Lens: Polycarbonate
	Housing: ABS
Lens Diameter	70 mm, 90 mm, 100 mm and 125 mm
LED module type	SMD / POWER
LED life duration	50,000 hrs
Light colours	Red, green, yellow, blue, white
Light modes	Steady, flashing, strobing, rotary
	12-24 V AC/DC
	85-250 V AC/DC
Voltage options	220 V AC
	10 melodies
Sound	10 melodies
Volume	85 - 110 dB
Sound and Light control	Separate control available
Mounting types	Surface & wall
Protection	Resistant to water, dust, heat and UV rays
Warranty	2 Years

* Not available on all versions.

STANDARD CODES AND OVERALL DIMENSIONS (mm)

70 Signal Beacons



Lens Diameter	70 mm
LED module type	SMD
Light colours	Red, green, yellow, blue, white
Sound	2 melodies
Mounting types	Surface & wall
Markings and homologations	CE EAC RoHS

Type	Buzzer	Power supply	Code
Steady	/	12-24 V AC/DC	TERMSB0100#
Steady	/	40-250 V AC/DC	TERMSB0101#
Flashing	/	12-24 V AC/DC	TERMSB0102#
Flashing	/	40-250 V AC/DC	TERMSB0103#
Steady	94-100 dB	12-24 V AC/DC	TERMSB0104#
Steady	94-100 dB	40-250 V AC/DC	TERMSB0105#
Flashing	94-100 dB	12-24 V AC/DC	TERMSB0106#
Flashing	94-100 dB	40-250 V AC/DC	TERMSB0107#

Please, specify the colour code within your orders by inserting the corresponding letter of the chosen colour instead of the character "#".

R = Red (R)

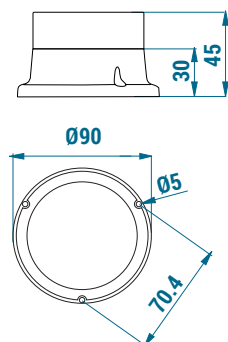
G = Green (G)

Y = Yellow (Y)

B = Blue (B)

W = White (W)

Mini Signal Beacons



Lens Diameter	70 mm
LED module type	SMD
Light colours	Red, green, yellow, blue, white
Sound	2 melodies
Mounting types	Surface & wall
Markings and homologations	CE EAC RoHS

Type	Buzzer	Power supply	Code
Steady	/	12-24 V AC/DC	TERMSB0200#
Steady	/	40-250 V AC/DC	TERMSB0201#
Flashing	/	12-24 V AC/DC	TERMSB0202#
Flashing	/	40-250 V AC/DC	TERMSB0203#
Steady	94-100 dB	12-24 V AC/DC	TERMSB0204#
Steady	94-100 dB	40-250 V AC/DC	TERMSB0205#
Flashing	94-100 dB	12-24 V AC/DC	TERMSB0206#
Flashing	94-100 dB	40-250 V AC/DC	TERMSB0207#

Please, specify the colour code within your orders by inserting the corresponding letter of the chosen colour instead of the character "#".

R = Red (R)

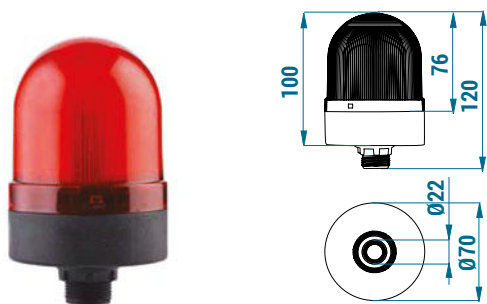
G = Green (G)

Y = Yellow (Y)

B = Blue (B)

W = White (W)

22 mm Hole Mounted Signal Beacons



Lens Diameter	70 mm
LED module type	SMD
Light colours	Red, green, yellow, blue, white
Sound	2 melodies
Mounting types	M22 nut connection
Markings and homologations	CE EAC RoHS

Type	Buzzer	Power supply	Code
Steady	/	12-24 V AC/DC	TERMSB0300#
Steady	/	40-250 V AC/DC	TERMSB0301#
Flashing	/	12-24 V AC/DC	TERMSB0302#
Flashing	/	40-250 V AC/DC	TERMSB0303#
Steady	104-107 dB	12-24 V AC/DC	TERMSB0304#
Steady	104-107 dB	40-250 V AC/DC	TERMSB0305#
Flashing	104-107 dB	12-24 V AC/DC	TERMSB0306#
Flashing	104-107 dB	40-250 V AC/DC	TERMSB0307#

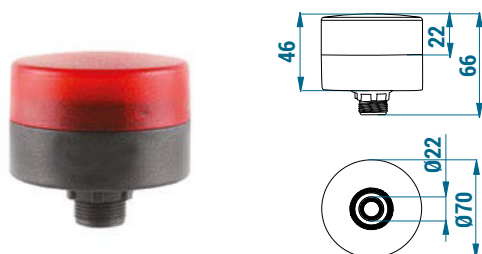
Please, specify the colour code within your orders by inserting the corresponding letter of the chosen colour instead of the character "#".

- R** = Red (R)
- G** = Green (G)
- Y** = Yellow (Y)
- B** = Blue (B)
- W** = White (W)

If the Metal tube nut-connect is required, please, specify the tube code after the colour code.

- T10 = 10 cm Metal tube nut-connect
- T20 = 20 cm Metal tube nut-connect
- T30 = 30 cm Metal tube nut-connect

22 mm Hole Mounted Mini Signal Beacons



Lens Diameter	70 mm
LED module type	SMD
Light colours	Red, green, yellow, blue, white
Sound	2 melodies
Mounting types	M22 nut connection
Markings and homologations	CE EAC RoHS

Type	Buzzer	Power supply	Code
Steady	/	12-24 V AC/DC	TERMSB0400#
Steady	/	40-250 V AC/DC	TERMSB0401#
Flashing	/	12-24 V AC/DC	TERMSB0402#
Flashing	/	40-250 V AC/DC	TERMSB0403#
Steady	104-107 dB	12-24 V AC/DC	TERMSB0404#
Steady	104-107 dB	40-250 V AC/DC	TERMSB0405#
Flashing	104-107 dB	12-24 V AC/DC	TERMSB0406#
Flashing	104-107 dB	40-250 V AC/DC	TERMSB0407#

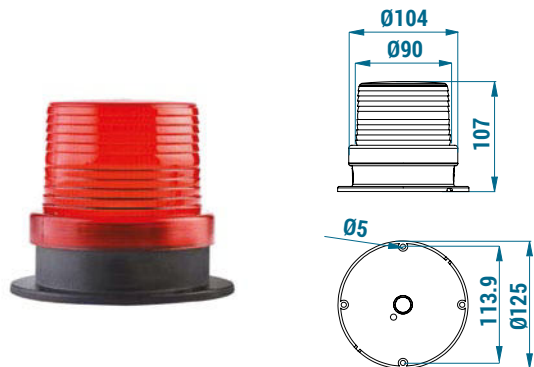
Please, specify the colour code within your orders by inserting the corresponding letter of the chosen colour instead of the character "#".

- R** = Red (R)
- G** = Green (G)
- Y** = Yellow (Y)
- B** = Blue (B)
- W** = White (W)

If the Metal tube nut-connect is required, please, specify the tube code after the colour code.

- T10 = 10 cm Metal tube nut-connect
- T20 = 20 cm Metal tube nut-connect
- T30 = 30 cm Metal tube nut-connect

90 Universal Signal Beacons



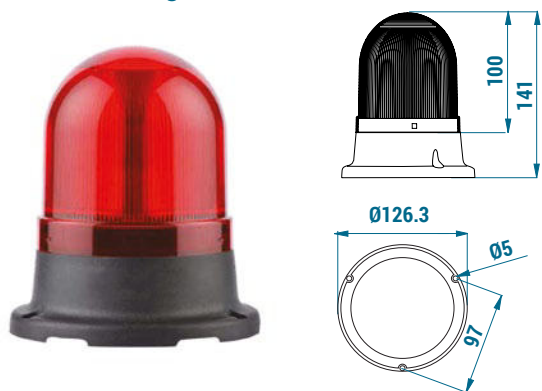
Lens Diameter	90 mm
LED module type	45 SMD LED / 5 x 3 W Power LED
Light colours	Red, green, yellow, blue, white
Light modes	Steady, flashing, strobing, rotary
Sound	10 melodies
Sound & Light changing button	Yes
Mounting types	Surface & wall
Protection cage against strokes	Yes
Markings and homologations	CE EAC RoHS E37

LED Type	Light	Buzzer	Protection cage	Power supply	Code
SMD	5 modes	/	/	12-24 V AC/DC	TERMSB0500#
SMD	5 modes	/	/	85-250 V AC/DC	TERMSB0501#
SMD	5 modes	85-110 dB	/	12-24 V AC/DC	TERMSB0502#
SMD	5 modes	85-110 dB	/	85-250 V AC/DC	TERMSB0503#
SMD	5 modes	/	Yes	12-24 V AC/DC	TERMSB0504#
SMD	5 modes	/	Yes	85-250 V AC/DC	TERMSB0505#
SMD	5 modes	85-110 dB	Yes	12-24 V AC/DC	TERMSB0506#
SMD	5 modes	85-110 dB	Yes	85-250 V AC/DC	TERMSB0507#
POWER	5 modes	/	/	12-24 V AC/DC	TERMSB0508#
POWER	5 modes	/	/	85-250 V AC/DC	TERMSB0509#
POWER	5 modes	85-110 dB	/	12-24 V AC/DC	TERMSB0510#
POWER	5 modes	85-110 dB	/	85-250 V AC/DC	TERMSB0511#
POWER	5 modes	/	Yes	12-24 V AC/DC	TERMSB0512#
POWER	5 modes	/	Yes	85-250 V AC/DC	TERMSB0513#
POWER	5 modes	85-110 dB	Yes	12-24 V AC/DC	TERMSB0514#
POWER	5 modes	85-110 dB	Yes	85-250 V AC/DC	TERMSB0515#

Please, specify the colour code within your orders by inserting the corresponding letter of the chosen colour instead of the character "#".

- R** = Red (R)
- G** = Green (G)
- Y** = Yellow (Y)
- B** = Blue (B)
- W** = White (W)

100 Universal Signal Beacons



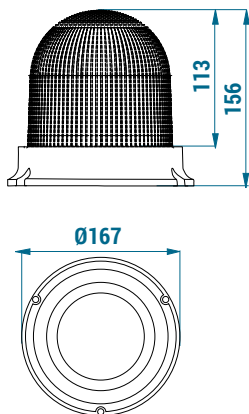
Lens Diameter	100 mm
LED module type	45 SMD LED / 5 x 3 W Power LED
Light colours	Red, green, yellow, blue, white
Light modes	Steady, flashing, strobing, rotary
Sound	10 melodies
Sound & Light changing button	Yes
Mounting types	Surface & wall
Protection cage against strokes	Yes
Markings and homologations	CE EAC RoHS E37

Code	LED Type	Light	Buzzer	Protection cage	Power supply
TERMSB0600#	SMD	5 modes	/	/	12-24 V AC/DC
TERMSB0601#	SMD	5 modes	/	/	85-250 V AC/DC
TERMSB0602#	SMD	5 modes	88-112 dB	/	12-24 V AC/DC
TERMSB0603#	SMD	5 modes	88-112 dB	/	85-250 V AC/DC
TERMSB0604#	SMD	5 modes	/	Yes	12-24 V AC/DC
TERMSB0605#	SMD	5 modes	/	Yes	85-250 V AC/DC
TERMSB0606#	SMD	5 modes	88-112 dB	Yes	12-24 V AC/DC
TERMSB0607#	SMD	5 modes	88-112 dB	Yes	85-250 V AC/DC
TERMSB0608#	POWER	5 modes	/	/	12-24 V AC/DC
TERMSB0609#	POWER	5 modes	/	/	85-250 V AC/DC
TERMSB0610#	POWER	5 modes	88-112 dB	/	12-24 V AC/DC
TERMSB0611#	POWER	5 modes	88-112 dB	/	85-250 V AC/DC
TERMSB0612#	POWER	5 modes	/	Yes	12-24 V AC/DC
TERMSB0613#	POWER	5 modes	/	Yes	85-250 V AC/DC
TERMSB0614#	POWER	5 modes	88-112 dB	Yes	12-24 V AC/DC
TERMSB0615#	POWER	5 modes	88-112 dB	Yes	85-250 V AC/DC

Please, specify the colour code within your orders by inserting the corresponding letter of the chosen colour instead of the character "#".

- R** = Red (R)
- G** = Green (G)
- Y** = Yellow (Y)
- B** = Blue (B)
- W** = White (W)

125 Universal Signal Beacons



Lens Diameter	125 mm
LED module type	5 x 3 W Power LED
Light colours	Red, green, yellow, blue, white
Light modes	Steady, flashing, strobing, rotary
Sound	10 melodies
Sound & Light changing button	Yes
Mounting types	Surface & wall
Protection cage against strokes	Yes
Markings and homologations	CE ENEC RoHS E37

LED Type	Light	Buzzer	Power supply	Code
POWER	5 modes	/	12-24 V AC/DC	TERMSB0700#
POWER	5 modes	/	85-250 V AC/DC	TERMSB0701#
POWER	5 modes	85-105 dB	12-24 V AC/DC	TERMSB0702#
POWER	5 modes	85-105 dB	85-250 V AC/DC	TERMSB0703#

Please, specify the colour code within your orders by inserting the corresponding letter of the chosen colour instead of the character "#".

- R** = Red (R)
- G** = Green (G)
- Y** = Yellow (Y)
- B** = Blue (B)
- W** = White (W)

Maxi-Volt Signal Beacons



For overall dimensions see:
 - 90 Universal Signal Beacon (lens diameter 100 mm)
 - 100 Universal Signal Beacon (lens diameter 100 mm)
 - 125 Universal Signal Beacon (lens diameter 125 mm)

Lens Diameter	90 mm, 100 mm, 125 mm
LED module type	5 x 3 W Power LED
Light colours	Red, green, yellow, blue, white
Light modes	Strobing
Sound	1 melody
Mounting types	Surface & wall
Protection cage against strokes	Yes
Markings and homologations	CE ENEC RoHS E37



TERMSB0800#
 TERMSB0801#
 TERMSB0802#
 TERMSB0803#



TERMSB0804#
 TERMSB0805#
 TERMSB0806#
 TERMSB0807#



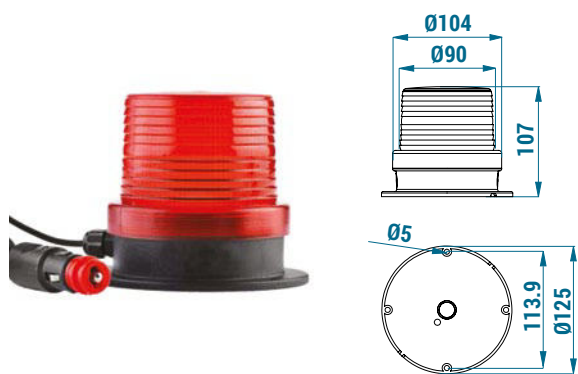
TERMSB0808#
 TERMSB0809#

Lens Diameter	Buzzer	Protection cage	Power supply	Code
90 mm	/	/	24-230 V AC/DC	TERMSB0800#
90 mm	117 dB	/	24-90 V DC / 24-60 V AC	TERMSB0801#
90 mm	/	Yes	24-230 V AC/DC	TERMSB0802#
90 mm	117 dB	Yes	24-90 V DC / 24-60 V AC	TERMSB0803#
100 mm	/	/	24-230 V AC/DC	TERMSB0804#
100 mm	117 dB	/	24-90 V DC / 24-60 V AC	TERMSB0805#
100 mm	/	Yes	24-230 V AC/DC	TERMSB0806#
100 mm	117 dB	Yes	24-90 V DC / 24-60 V AC	TERMSB0807#
125 mm	/	/	24-230 V AC/DC	TERMSB0808#
125 mm	117 dB	/	24-90 V DC / 24-60 V AC	TERMSB0809#

Please, specify the colour code within your orders by inserting the corresponding letter of the chosen colour instead of the character "#".

- R** = Red (R)
- G** = Green (G)
- Y** = Yellow (Y)
- B** = Blue (B)
- W** = White (W)

Magnetic Base Signal Beacons with Cigarette Lighter Plug



Lens Diameter	90 mm
LED module type	5 x 3 W Power LED
Light colours	Red, green, yellow, blue, white
Light modes	Steady, flashing, strobing, rotary
Sound	10 melodies
Mounting types	Surface & wall
Protection cage against strokes	Yes
Strong magnet to secure attachment to vehicle surfaces	Yes
Markings and homologations	CE EAC RoHS E37

Lens Diameter	Light	Buzzer	Protection cage	Power supply	Code
90 mm	5 modes	/	/	12-24 V AC/DC	TERMSB0900#
90 mm	5 modes	85-110 dB	/	12-24 V AC/DC	TERMSB0901#
90 mm	5 modes	/	Yes	12-24 V AC/DC	TERMSB0902#
100 mm	5 modes	85-110 dB	Yes	12-24 V AC/DC	TERMSB0903#

Please, specify the colour code within your orders by inserting the corresponding letter of the chosen colour instead of the character "#".

R = Red (R)

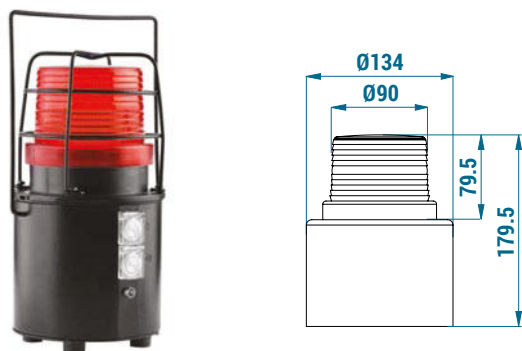
G = Green (G)

Y = Yellow (Y)

B = Blue (B)

W = White (W)

Rechargeable Universal Signal Beacons - Portable Signal Lights



Lens Diameter	90 mm
LED module type	SMD
Light colours	Red, green, yellow, blue, white
Light modes	Flashing, Strobing, Rotary
Sound	10 melodies
Mounting types	Surface & Portable
Protection cage against strokes	Yes
Power supply	Rechargeable battery includes a battery
Duration of a battery charge	20 hours
Markings and homologations	CE EAC RoHS

Lens Diameter	Light	Buzzer	Colour	Power supply	Code
90 mm	5 modes	85-110 dB	Red	Battery Power	TERMSB1200R
90 mm	5 modes	85-110 dB	Green	Battery Power	TERMSB1200G
90 mm	5 modes	85-110 dB	Yellow	Battery Power	TERMSB1200Y
90 mm	5 modes	85-110 dB	Blue	Battery Power	TERMSB1200B
90 mm	5 modes	85-110 dB	White	Battery Power	TERMSB1200W

Signal Beacons with Sensor



For overall dimensions see:
 - 90 Universal Signal Beacon (lens diameter 90 mm)
 - 100 Universal Signal Beacon (lens diameter 100 mm)



Lens Diameter	90 mm, 100 mm
LED module type	5 x 3 W Power LED
Light colours	Red, green, yellow, blue, white
Light modes	1 mode
Sound	10 melodies
Mounting types	Surface & wall
Protection cage against strokes	Yes
Night-day switching feature	Yes
Markings and homologations	CE EAC RoHS E37



TERMSB1000#
 TERMSB1001#
 TERMSB1002#
 TERMSB1003#
 TERMSB1004#
 TERMSB1005#
 TERMSB1006#
 TERMSB1007#



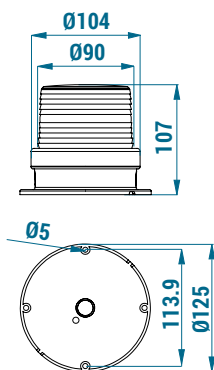
TERMSB1008#
 TERMSB1009#
 TERMSB1010#
 TERMSB1011#
 TERMSB1012#
 TERMSB1013#
 TERMSB1014#
 TERMSB1015#

Lens Diameter	Buzzer	Protection cage	Power supply	Code
90 mm	/	/	12-24 V AC/DC	TERMSB1000#
90 mm	/	/	85-250 V AC/DC	TERMSB1001#
90 mm	85-110 dB	/	12-24 V AC/DC	TERMSB1002#
90 mm	85-110 dB	/	85-250 V AC/DC	TERMSB1003#
90 mm	/	Yes	12-24 V AC/DC	TERMSB1004#
90 mm	/	Yes	85-250 V AC/DC	TERMSB1005#
90 mm	85-110 dB	Yes	12-24 V AC/DC	TERMSB1006#
90 mm	85-110 dB	Yes	85-250 V AC/DC	TERMSB1007#
100 mm	/	/	12-24 V AC/DC	TERMSB1008#
100 mm	/	/	85-250 V AC/DC	TERMSB1009#
100 mm	85-110 dB	/	12-24 V AC/DC	TERMSB1010#
100 mm	85-110 dB	/	85-250 V AC/DC	TERMSB1011#
100 mm	/	Yes	12-24 V AC/DC	TERMSB1012#
100 mm	/	Yes	85-250 V AC/DC	TERMSB1013#
100 mm	85-110 dB	Yes	12-24 V AC/DC	TERMSB1014#
100 mm	85-110 dB	Yes	85-250 V AC/DC	TERMSB1015#

Please, specify the colour code within your orders by inserting the corresponding letter of the chosen colour instead of the character "#".

- R** = Red (R)
- G** = Green (G)
- Y** = Yellow (Y)
- B** = Blue (B)
- W** = White (W)

Solar Power Signal Beacons



Lens Diameter	90 mm
Light colours	Red, yellow
Light modes	Flashing
Mounting types	Surface & wall
Magnetic base	on request
Markings and homologations	CE EAC RoHS E37

Lens Diameter	Colour	Power supply	Code
90 mm	Red	Solar panel	TERMSB1100R
90 mm	Yellow	Solar panel	TERMSB1100Y

Dual Universal Signal Beacons



Lens Diameter	90 mm
LED module type	5 x 3 W Power LED
Light colours	Red - green
Light modes	Steady, Flashing, Strobing, Rotary
Sound	10 melodies
Mounting types	Wall
Protection cage against strokes	Yes
Markings and homologations	CE EAC RoHS E37

Lens Diameter	Light	Buzzer	Protection cage	Power supply	Code
90 mm	5 modes	/	/	12-24 V AC/DC	TERMSB1300
90 mm	5 modes	/	/	85-250 V AC/DC	TERMSB1301
90 mm	5 modes	85-110 dB	/	12-24 V AC/DC	TERMSB1302
90 mm	5 modes	85-110 dB	/	85-250 V AC/DC	TERMSB1303
90 mm	5 modes	/	Yes	12-24 V AC/DC	TERMSB1304
90 mm	5 modes	/	Yes	85-250 V AC/DC	TERMSB1305
90 mm	5 modes	85-110 dB	Yes	12-24 V AC/DC	TERMSB1306
90 mm	5 modes	85-110 dB	Yes	85-250 V AC/DC	TERMSB1307

UNIVERSAL SIGNAL BEACONS - SPARE PARTS

Description	Colour	Code
Ø70 Mini PC-Lens	Red	TERMSP0106R
Ø70 Mini PC-Lens	Green	TERMSP0106G
Ø70 Mini PC-Lens	Yellow	TERMSP0106Y
Ø70 Mini PC-Lens	Blue	TERMSP0106B
Ø70 Mini PC-Lens	Transparent	TERMSP0106W
Ø70 PC-Lens	Red	TERMSP0103R
Ø70 PC-Lens	Green	TERMSP0103G
Ø70 PC-Lens	Yellow	TERMSP0103Y
Ø70 PC-Lens	Blue	TERMSP0103B
Ø70 PC-Lens	Transparent	TERMSP0103W
Ø90 PC-Lens	Red	TERMSP0102R
Ø90 PC-Lens	Green	TERMSP0102G
Ø90 PC-Lens	Yellow	TERMSP0102Y
Ø90 PC-Lens	Blue	TERMSP0102B
Ø90 PC-Lens	Transparent	TERMSP0102W
Ø100 PC-Lens	Red	TERMSP0101R
Ø100 PC-Lens	Green	TERMSP0101G
Ø100 PC-Lens	Yellow	TERMSP0101Y
Ø100 PC-Lens	Blue	TERMSP0101B
Ø100 PC-Lens	Transparent	TERMSP0101W
Ø125 PC-Lens	Red	TERMSP0100R
Ø125 PC-Lens	Green	TERMSP0100G
Ø125 PC-Lens	Yellow	TERMSP0100Y
Ø125 PC-Lens	Blue	TERMSP0100B
Ø125 PC-Lens	Transparent	TERMSP0100W

UNIVERSAL SIGNAL BEACONS - SPARE PARTS

Description	Colour	Code
10 cm Metal tube nut-connect	Grey-Black	TERMSP0801T10
20 cm Metal tube nut-connect	Grey-Black	TERMSP0801T20
30 cm Metal tube nut-connect	Grey-Black	TERMSP0801T30
Ø70 Metal wall bracket- nut connect	Black	TERMSP0605
Ø70 Metal wall bracket	Black	TERMSP0603
Ø90 Metal wall bracket	Black	TERMSP0602
Ø100 Metal wall bracket	Black	TERMSP0601
Ø125 Metal wall bracket	Black	TERMSP0600
Ø90 Metal protection cage	Black	TERMSP0702
Ø100 Metal protection cage	Black	TERMSP0701

LED WARNING HORNS

Multi-sound with Multi-light LED Horns offering a perfect match, which aims at the highest quality in audio and signaling alerting. Depending on the model, they are available with 2 - 7 and 16 options up to 130 dB.

Featuring a potentiometer to adjust the volume intensity and a pushbutton for selecting between the different available light and sound versions.

Suitable for use on cranes, weaving machines, ships, in mines, ports, warehouses, panels, electronic control panels and in several industries such as mechanical engineering, automation, automotive.



CERTIFICATIONS

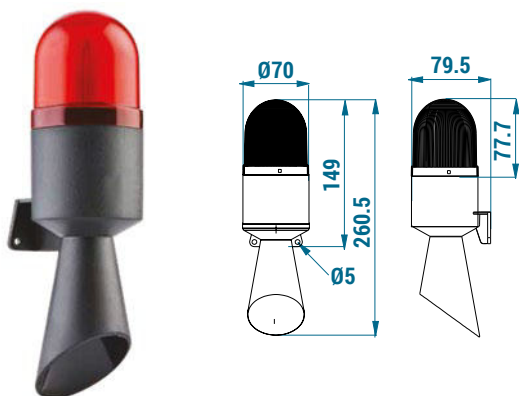
Conformity to Community Directives	2014/35/UE Low Voltage Directive
Conformity to CE Standards	EN 60598-1 Luminaires - General requirements and tests
	EN 60529-1 Degrees of protection provided by enclosures
Markings and homologations	CE ENEC RoHS

GENERAL TECHNICAL SPECIFICATIONS

Ambient temperature	Operational -20°C/+50°C
IP protection degree	IP 65
Materials	Lens: Polycarbonate
	Housing: ABS
Lens Diameter	70 mm
LED module type	SMD
LED life duration	50,000 hrs
Light colours	Red, green, yellow, blue, white
Light modes	Steady, flashing, strobing, rotary
Voltage options	12-24 V AC/DC
	40-250 V AC/DC
	24 V AC/DC
	220 V AC
Sound	16 melodies
Volume	124 - 130 dB
Sound and Light control	Separate control available
Mounting types	Wall
Protection	Resistant to water, dust, heat and UV rays
Warranty	2 Years

STANDARD CODES AND OVERALL DIMENSIONS (mm)

Universal LED Horns



Lens Diameter	70 mm
LED module type	SMD
Light colours	Red, green, yellow, blue, white
Light modes	Steady, flashing, strobing
Sound	16 melodies
Mounting types	Wall
Markings and homologations	CE EAC RoHS

Light	Buzzer	Power supply	Code
5 modes	124-130 dB	12-24 V AC/DC	TERMWH0100#
5 modes	124-130 dB	40-250 V AC/DC	TERMWH0101#

Please, specify the colour code within your orders by inserting the corresponding letter of the chosen colour instead of the character "#".

R = Red (R)

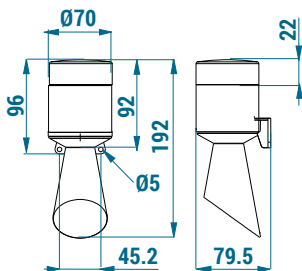
G = Green (G)

Y = Yellow (Y)

B = Blue (B)

W = White (W)

Mini Universal LED Horns



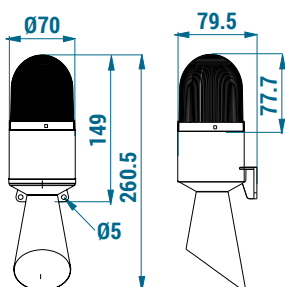
Lens Diameter	70 mm
LED module type	SMD
Light colours	Red, green, yellow, blue, white
Light modes	Steady, flashing, strobing
Sound	16 melodies
Mounting types	Wall
Markings and homologations	CE EAC RoHS

Light	Buzzer	Power supply	Code
5 modes	124-130 dB	12-24 V AC/DC	TERMWH0200#
5 modes	124-130 dB	40-250 V AC/DC	TERMWH0201#

Please, specify the colour code within your orders by inserting the corresponding letter of the chosen colour instead of the character "#".

- R** = Red (R)
- G** = Green (G)
- Y** = Yellow (Y)
- B** = Blue (B)
- W** = White (W)

Industrial Crane Horns



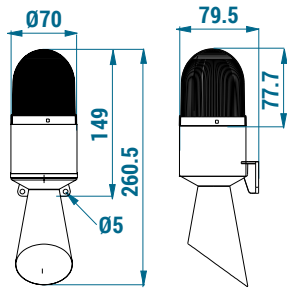
Lens Diameter	70 mm
LED module type	SMD
Light colours	Red, green, yellow, blue, white
Light modes	Steady, flashing, strobing, rotary
Sound	7 different melodies for 7 ignition inputs
Mounting types	Wall
Markings and homologations	CE EAC RoHS

Light mode	Buzzer	Power supply	Code
Steady	124-130 dB	12-24 V AC/DC	TERMWH0300#
Steady	124-130 dB	40-250 V AC/DC	TERMWH0301#
Flashing	124-130 dB	12-24 V AC/DC	TERMWH0302#
Flashing	124-130 dB	40-250 V AC/DC	TERMWH0303#
Strobe	124-130 dB	12-24 V AC/DC	TERMWH0304#
Strobe	124-130 dB	40-250 V AC/DC	TERMWH0305#
Rotary	124-130 dB	12-24 V AC/DC	TERMWH0306#
Rotary	124-130 dB	40-250 V AC/DC	TERMWH0307#

Please, specify the colour code within your orders by inserting the corresponding letter of the chosen colour instead of the character "#".

- R** = Red (R)
- G** = Green (G)
- Y** = Yellow (Y)
- B** = Blue (B)
- W** = White (W)

LED Horns TERMWH04 series



Lens Diameter	70 mm
LED module type	SMD
Light colours	Red, green, yellow, blue, white
Light modes	Flashing
Sound	1 melody
Mounting types	Wall
Markings and homologations	CE EAC RoHS

Light mode	Buzzer	Power supply	Code
Flashing	120-125 dB	24 V DC	TERMWH0400#
Flashing	120-125 dB	40-250 V AC/DC	TERMWH0401#

Please, specify the colour code within your orders by inserting the corresponding letter of the chosen colour instead of the character "#".

R = Red (R)

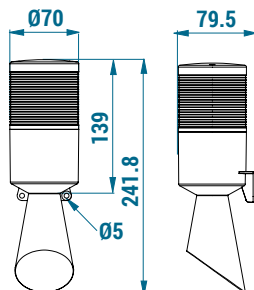
G = Green (G)

Y = Yellow (Y)

B = Blue (B)

W = White (W)

LED Horns TERMWH05 series (1 colour)



Lens Diameter	70 mm
LED module type	SMD
Light colours	Red, green, yellow, blue, white
Light modes	Steady, flashing, strobing, rotary
Sound	2 melodies
Mounting types	Wall
Markings and homologations	CE EAC RoHS

Light mode	Buzzer	Power supply	Code
Flashing - Steady	120 dB	12-24 V AC/DC	TERMWH0500#
Flashing - Steady	120 dB	40-250 V AC/DC	TERMWH0501#
Strobe	120 dB	12-24 V AC/DC	TERMWH0502#
Strobe	120 dB	40-250 V AC/DC	TERMWH0503#
Rotary	120 dB	12-24 V AC/DC	TERMWH0504#
Rotary	120 dB	40-250 V AC/DC	TERMWH0505#

Please, specify the colour code within your orders by inserting the corresponding letter of the chosen colour instead of the character "#".

R = Red (R)

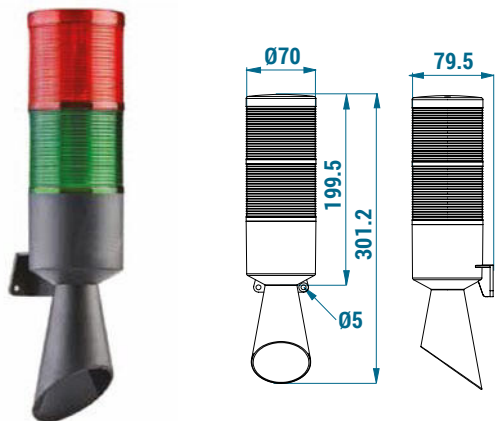
G = Green (G)

Y = Yellow (Y)

B = Blue (B)

W = White (W)

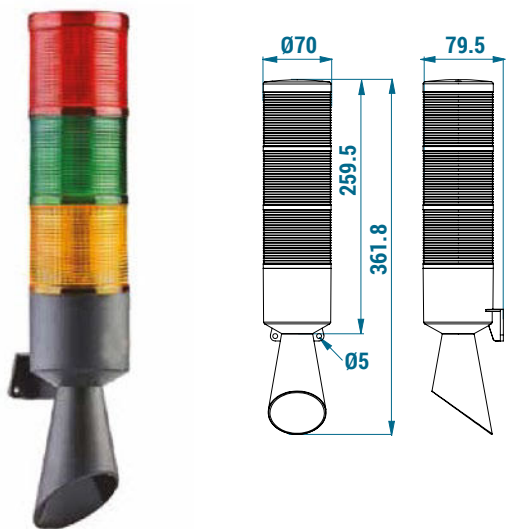
LED Horns TERMWH06 series (2 colours)



Lens Diameter	70 mm
LED module type	SMD
Light colours	Red - green
Light modes	Steady, flashing, strobing, rotary
Sound	2 melodies
Mounting types	Wall
Markings and homologations	CE EAC RoHS

Light mode	Colour	Buzzer	Power supply	Code
Flashing - Steady	Red - green	120 dB	12-24 V AC/DC	TERMWH0600
Flashing - Steady	Red - green	120 dB	40-250 V AC/DC	TERMWH0601
Strobe	Red - green	120 dB	12-24 V AC/DC	TERMWH0602
Strobe	Red - green	120 dB	40-250 V AC/DC	TERMWH0603
Rotary	Red - green	120 dB	12-24 V AC/DC	TERMWH0604
Rotary	Red - green	120 dB	40-250 V AC/DC	TERMWH0605

LED Horns TERMWH07 series (3 colours)



Lens Diameter	70 mm
LED module type	SMD
Light colours	Red - green - yellow
Light modes	Steady, flashing, strobing, rotary
Sound	2 melodies
Mounting types	Wall
Markings and homologations	CE EAC RoHS

Light mode	Colour	Buzzer	Power supply	Code
Flashing - Steady	Red - green - yellow	120 dB	12-24 V AC/DC	TERMWH0700
Flashing - Steady	Red - green - yellow	120 dB	40-250 V AC/DC	TERMWH0701
Strobe	Red - green - yellow	120 dB	12-24 V AC/DC	TERMWH0702
Strobe	Red - green - yellow	120 dB	40-250 V AC/DC	TERMWH0703
Rotary	Red - green - yellow	120 dB	12-24 V AC/DC	TERMWH0704
Rotary	Red - green - yellow	120 dB	40-250 V AC/DC	TERMWH0705

LED WARNING HORNS - SPARE PARTS

Description	Category	Colour	Code
Ø70 Mini PC-Lens	Mini Series	Red	TERMSP0106R
Ø70 Mini PC-Lens	Mini Series	Green	TERMSP0106G
Ø70 Mini PC-Lens	Mini Series	Yellow	TERMSP0106Y
Ø70 Mini PC-Lens	Mini Series	Blue	TERMSP0106B
Ø70 Mini PC-Lens	Mini Series	Transparent	TERMSP0106W
Ø70 PC-Lens	LED Horns TERMWH04 series	Red	TERMSP0103R
Ø70 PC-Lens	LED Horns TERMWH04 series	Green	TERMSP0103G
Ø70 PC-Lens	LED Horns TERMWH04 series	Yellow	TERMSP0103Y
Ø70 PC-Lens	LED Horns TERMWH04 series	Blue	TERMSP0103B
Ø70 PC-Lens	LED Horns TERMWH04 series	Transparent	TERMSP0103W
Ø70 PC-Lens	LED Horns TERMWH05-TERMWH06-TERMWH07 series	Red	TERMSP0105R
Ø70 PC-Lens	LED Horns TERMWH05-TERMWH06-TERMWH07 series	Green	TERMSP0105G
Ø70 PC-Lens	LED Horns TERMWH05-TERMWH06-TERMWH07 series	Yellow	TERMSP0105Y
Ø70 PC-Lens	LED Horns TERMWH05-TERMWH06-TERMWH07 series	Blue	TERMSP0105B
Ø70 PC-Lens	LED Horns TERMWH05-TERMWH06-TERMWH07 series	Transparent	TERMSP0105W
Ø70 PC-Lens cover	LED Horns TERMWH05-TERMWH06-TERMWH07 series	Red	TERMSP0104R
Ø70 PC-Lens cover	LED Horns TERMWH05-TERMWH06-TERMWH07 series	Green	TERMSP0104G
Ø70 PC-Lens cover	LED Horns TERMWH05-TERMWH06-TERMWH07 series	Yellow	TERMSP0104Y
Ø70 PC-Lens cover	LED Horns TERMWH05-TERMWH06-TERMWH07 series	Blue	TERMSP0104B
Ø70 PC-Lens cover	LED Horns TERMWH05-TERMWH06-TERMWH07 series	Transparent	TERMSP0104W

BEACON HORNS

Multi-sound with Multi-light Beacon Horns offering a perfect match, which aims at the highest quality in audio and signaling alerting. Depending on the model, they are available with 2 - 7 and 16 options up to 130 dB.

Featuring a potentiometer to adjust the volume intensity and a pushbutton for selecting between the different available light and sound versions.

Suitable for use on cranes, weaving machines, ships, in mines, ports, warehouses, panels, electronic control panels and in several industries such as mechanical engineering, automation, automotive.



CERTIFICATIONS

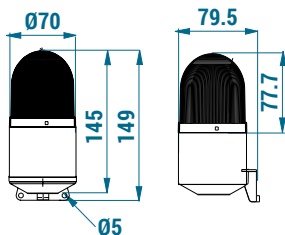
Conformity to Community Directives	2014/35/UE Low Voltage Directive
Conformity to CE Standards	EN 60598-1 Luminaires - General requirements and tests
	EN 60529-1 Degrees of protection provided by enclosures
Markings and homologations	CE ENEC RoHS

GENERAL TECHNICAL SPECIFICATIONS

Ambient temperature	Operational -20°C/+50°C
IP protection degree	IP 65
Materials	Lens: Polycarbonate
	Housing: ABS
Lens Diameter	70 mm
LED module type	SMD
LED life duration	50,000 hrs
Light colours	Red, green, yellow, blue, white
Light modes	Steady, flashing, strobing, rotary
Voltage options	12-24 V AC/DC
	40-250 V AC/DC
	24 V AC/DC
	220 V AC
Sound	16 melodies
Volume	124 - 130 dB
Sound and Light control	Separate control available
Mounting types	Wall
Protection	Resistant to water, dust, heat and UV rays
Warranty	2 Years

STANDARD CODES AND OVERALL DIMENSIONS (mm)

Universal Beacon Horns



Lens Diameter	70 mm
LED module type	SMD
Light colours	Red, green, yellow, blue, white
Light modes	Steady, flashing, strobing
Sound	16 melodies
Mounting types	Wall
Markings and homologations	CE EAC RoHS

Light	Buzzer	Power supply	Code
3 modes	95-127 dB	12-24 V AC/DC	TERMBH0100#
3 modes	95-127 dB	40-250 V AC/DC	TERMBH0101#

Please, specify the colour code within your orders by inserting the corresponding letter of the chosen colour instead of the character "#".

R = Red (R)

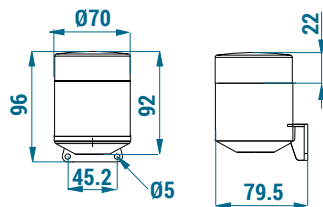
G = Green (G)

Y = Yellow (Y)

B = Blue (B)

W = White (W)

Mini Universal Beacon Horns



Lens Diameter	70 mm
LED module type	SMD
Light colours	Red, green, yellow, blue, white
Light modes	Steady, flashing, strobing
Sound	16 melodies
Mounting types	Wall
Markings and homologations	CE EAC RoHS

Light	Buzzer	Power supply	Code
3 modes	95-127 dB	12-24 V AC/DC	TERMBH0200#
3 modes	95-127 dB	40-250 V AC/DC	TERMBH0201#

Please, specify the colour code within your orders by inserting the corresponding letter of the chosen colour instead of the character "#".

R = Red (R)

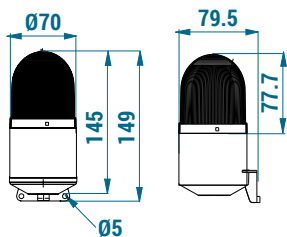
G = Green (G)

Y = Yellow (Y)

B = Blue (B)

W = White (W)

Industrial Crane Horns



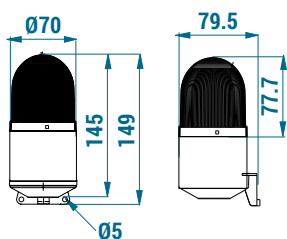
Lens Diameter	70 mm
LED module type	SMD
Light colours	Red, green, yellow, blue, white
Light modes	Steady, flashing, strobing, rotary
Sound	7 different melodies for 7 ignition inputs
Mounting types	Wall
Markings and homologations	CE ENEC RoHS

Light	Buzzer	Power supply	Code
Steady	124-130 dB	12-24 V AC/DC	TERMBH0300#
Steady	124-130 dB	40-250 V AC/DC	TERMBH0301#
Flashing	124-130 dB	12-24 V AC/DC	TERMBH0302#
Flashing	124-130 dB	40-250 V AC/DC	TERMBH0303#
Strobe	124-130 dB	12-24 V AC/DC	TERMBH0304#
Strobe	124-130 dB	40-250 V AC/DC	TERMBH0305#
Rotary	124-130 dB	12-24 V AC/DC	TERMBH0306#
Rotary	124-130 dB	40-250 V AC/DC	TERMBH0307#

Please, specify the colour code within your orders by inserting the corresponding letter of the chosen colour instead of the character "#".

- R** = Red (R)
- G** = Green (G)
- Y** = Yellow (Y)
- B** = Blue (B)
- W** = White (W)

Beacon Horns TERMBH04 series



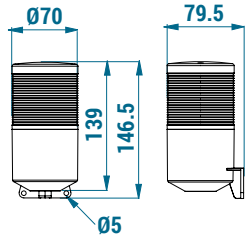
Lens Diameter	70 mm
LED module type	SMD
Light colours	Red, green, yellow, blue, white
Light modes	Flashing
Sound	1 melody
Mounting types	Wall
Markings and homologations	CE ENEC RoHS

Light	Buzzer	Power supply	Code
Flashing	120-125 dB	24 V DC	TERMBH0400#
Flashing	120-125 dB	40-250 V AC/DC	TERMBH0401#

Please, specify the colour code within your orders by inserting the corresponding letter of the chosen colour instead of the character "#".

- R** = Red (R)
- G** = Green (G)
- Y** = Yellow (Y)
- B** = Blue (B)
- W** = White (W)

Beacon Horns TERMBH05 series (1 colour)



Lens Diameter	70 mm
LED module type	SMD
Light colours	Red, green, yellow, blue, white
Light modes	Steady, flashing, strobing, rotary
Sound	2 melodies
Mounting types	Wall
Markings and homologations	CE EAC RoHS

Light mode	Buzzer	Power supply	Code
Flashing - Steady	120 dB	12-24 V AC/DC	TERMBH0500#
Flashing - Steady	120 dB	40-250 V AC/DC	TERMBH0501#
Strobe	120 dB	12-24 V AC/DC	TERMBH0502#
Strobe	120 dB	40-250 V AC/DC	TERMBH0503#
Rotary	120 dB	12-24 V AC/DC	TERMBH0504#
Rotary	120 dB	40-250 V AC/DC	TERMBH0505#

Please, specify the colour code within your orders by inserting the corresponding letter of the chosen colour instead of the character "#".

R = Red (R)

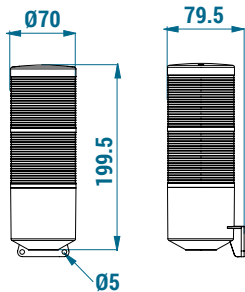
G = Green (G)

Y = Yellow (Y)

B = Blue (B)

W = White (W)

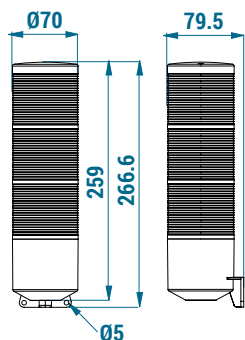
Beacon Horns TERMBH06 series (2 colours)



Lens Diameter	70 mm
LED module type	SMD
Light colours	Red - green
Light modes	Steady, flashing, strobing, rotary
Sound	2 melodies
Mounting types	Wall
Markings and homologations	CE EAC RoHS

Light mode	Colour	Buzzer	Power supply	Code
Flashing - Steady	Red - green	120 dB	12-24 V AC/DC	TERMBH0600
Flashing - Steady	Red - green	120 dB	40-250 V AC/DC	TERMBH0601
Strobe	Red - green	120 dB	12-24 V AC/DC	TERMBH0602
Strobe	Red - green	120 dB	40-250 V AC/DC	TERMBH0603
Rotary	Red - green	120 dB	12-24 V AC/DC	TERMBH0604
Rotary	Red - green	120 dB	40-250 V AC/DC	TERMBH0605

Beacon Horns TERMBH07 series (3 colours)



Lens Diameter	70 mm
LED module type	SMD
Light colours	Red - green - yellow
Light modes	Steady, flashing, strobing, rotary
Sound	2 melodies
Mounting types	Wall
Markings and homologations	CE EAC RoHS

Light mode	Colour	Buzzer	Power supply	Code
Flashing - Steady	Red - green - yellow	120 dB	12-24 V AC/DC	TERMBH0700
Flashing - Steady	Red - green - yellow	120 dB	40-250 V AC/DC	TERMBH0701
Strobe	Red - green - yellow	120 dB	12-24 V AC/DC	TERMBH0702
Strobe	Red - green - yellow	120 dB	40-250 V AC/DC	TERMBH0703
Rotary	Red - green - yellow	120 dB	12-24 V AC/DC	TERMBH0704
Rotary	Red - green - yellow	120 dB	40-250 V AC/DC	TERMBH0705

BEACON HORNS - SPARE PARTS

Description	Category	Colour	Code
Ø70 Mini PC-Lens	Mini Series	Red	TERMSP0106R
Ø70 Mini PC-Lens	Mini Series	Green	TERMSP0106G
Ø70 Mini PC-Lens	Mini Series	Yellow	TERMSP0106Y
Ø70 Mini PC-Lens	Mini Series	Blue	TERMSP0106B
Ø70 Mini PC-Lens	Mini Series	Transparent	TERMSP0106W
Ø70 PC-Lens	Beacon Horns TERMBH04 series	Red	TERMSP0103R
Ø70 PC-Lens	Beacon Horns TERMBH04 series	Green	TERMSP0103G
Ø70 PC-Lens	Beacon Horns TERMBH04 series	Yellow	TERMSP0103Y
Ø70 PC-Lens	Beacon Horns TERMBH04 series	Blue	TERMSP0103B
Ø70 PC-Lens	Beacon Horns TERMBH04 series	Transparent	TERMSP0103W
Ø70 PC-Lens	Beacon Horn TERMBH05 - TERMBH06 - TERMBH07 series	Red	TERMSP0105R
Ø70 PC-Lens	Beacon Horn TERMBH05 - TERMBH06 - TERMBH07 series	Green	TERMSP0105G
Ø70 PC-Lens	Beacon Horn TERMBH05 - TERMBH06 - TERMBH07 series	Yellow	TERMSP0105Y
Ø70 PC-Lens	Beacon Horn TERMBH05 - TERMBH06 - TERMBH07 series	Blue	TERMSP0105B
Ø70 PC-Lens	Beacon Horn TERMBH05 - TERMBH06 - TERMBH07 series	Transparent	TERMSP0105W
Ø70 PC-Lens cover	Beacon Horn TERMBH05 - TERMBH06 - TERMBH07 series	Red	TERMSP0104R
Ø70 PC-Lens cover	Beacon Horn TERMBH05 - TERMBH06 - TERMBH07 series	Green	TERMSP0104G
Ø70 PC-Lens cover	Beacon Horn TERMBH05 - TERMBH06 - TERMBH07 series	Yellow	TERMSP0104Y
Ø70 PC-Lens cover	Beacon Horn TERMBH05 - TERMBH06 - TERMBH07 series	Blue	TERMSP0104B
Ø70 PC-Lens cover	Beacon Horn TERMBH05 - TERMBH06 - TERMBH07 series	Transparent	TERMSP0104W

ELECTRONIC SIRENS

Electronic sirens ideal for providing sound signals in case of emergency or warning in potential imminent critical situations.

Featuring a potentiometer to adjust the volume intensity and a pushbutton for selecting between the different available light and sound versions.



CERTIFICATIONS

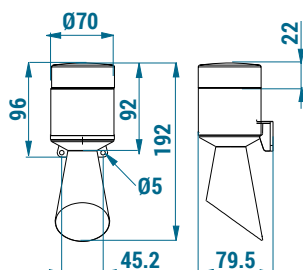
Conformity to Community Directives	2014/35/UE Low Voltage Directive
Conformity to CE Standards	EN 60598-1 Luminaires - General requirements and tests
	EN 60529-1 Degrees of protection provided by enclosures
Markings and homologations	CE ENEC RoHS

GENERAL TECHNICAL SPECIFICATIONS

Ambient temperature	Operational -20°C/+50°C
IP protection degree	IP 65
Materials	Housing: ABS
	12-24 V AC/DC
	40-250 V AC/DC
Voltage options	24 V DC
	12 V DC
	220 V AC
	16/ 7/ 2/ 1 melodies
Sound options	7 different melodies for 7 ignition inputs
Sound	7 different melodies for 7 ignition inputs
Volume	92 - 130 dB
Mounting types	Surface & wall
Protection	Resistant to water, dust, heat and UV rays
Warranty	2 Years

STANDARD CODES AND OVERALL DIMENSIONS (mm)

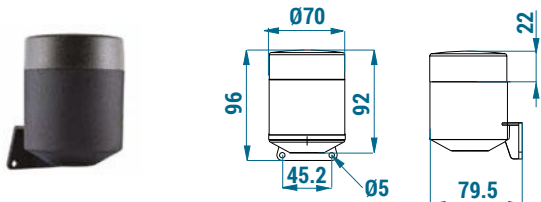
Wall Mounted Horns



Diameter	70 mm
Volume	105-130 dB
Mounting types	Wall
Markings and homologations	CE ENEC RoHS

Type	Power supply	Code
16 Melodies	12-24 V AC/DC	TERMES0100
16 Melodies	40-250 V AC/DC	TERMES0101
2 Melodies	12-24 V AC/DC	TERMES0102
2 Melodies	40-250 V AC/DC	TERMES0103
7 different melodies for 7 ignition inputs	12-24 V AC/DC	TERMES0104
7 different melodies for 7 ignition inputs	40-250 V AC/DC	TERMES0105

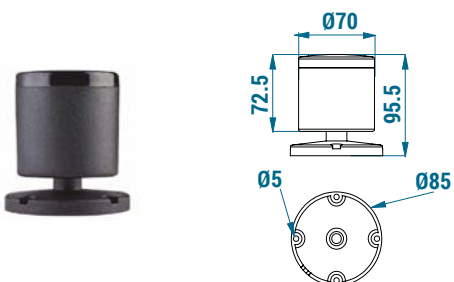
Wall Mounted Short Horns



Diameter	70 mm
Volume	95-127 dB
Mounting types	Wall
Markings and homologations	CE EAC RoHS

Type	Power supply	Code
16 Melodies	12-24 V AC/DC	TERMES0200
16 Melodies	40-250 V AC/DC	TERMES0201
2 Melodies	12-24 V AC/DC	TERMES0202
2 Melodies	40-250 V AC/DC	TERMES0203
7 different melodies for 7 ignition inputs	12-24 V AC/DC	TERMES0204
7 different melodies for 7 ignition inputs	40-250 V AC/DC	TERMES0205

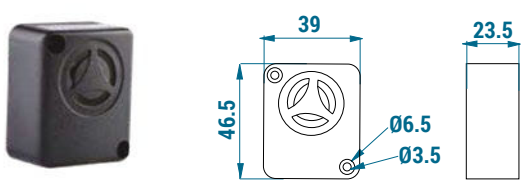
Surface Mounted Horns



Diameter	70 mm
Volume	95-127 dB
Mounting types	Surface & wall
Markings and homologations	CE EAC RoHS

Type	Power supply*	Code
Continuous-Intermittent	12-24 V AC/DC	TERMES0300
Intermittent	24 V DC	TERMES0301
Continuous-Intermittent	40-250 V AC/DC	TERMES0302
Intermittent	220 V AC/DC	TERMES0303

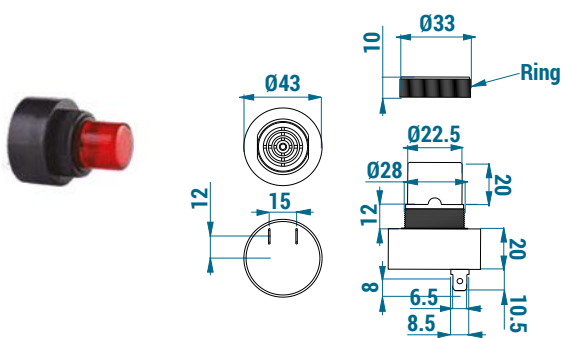
Square Buzzers



Dimensions	40 x 45 mm
Volume	127 dB
Mounting types	Surface & wall
Markings and homologations	CE EAC RoHS

Type	Power supply*	Code
Intermittent	12 V DC	TERMES0400

M30 LED Buzzers

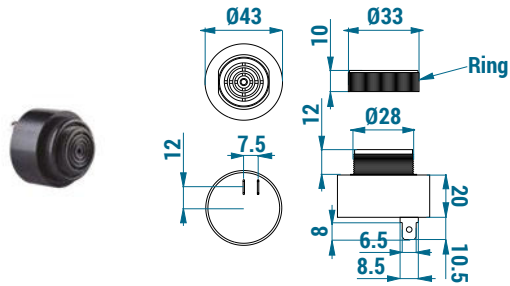


Diameter	30 mm
Volume	105-110 dB
LED colour	Red
Mounting types	Panel
Markings and homologations	CE EAC RoHS

Type	Light mode	Power supply*	Code
Intermittent	Flashing	220 V AC	TERMES0600
Intermittent	Flashing	24V DC	TERMES0601

* 24 V AC/DC on request

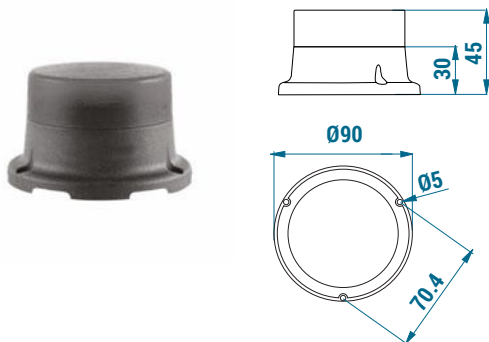
M30 Buzzers



Diameter	30 mm
Volume	105-110 dB
IP protection degree	IP 68
Mounting types	Panel
Markings and homologations	CE EAC RoHS

Type	Power supply*	Code
Continuous	220 V AC	TERMES0500
Continuous	24V DC	TERMES0501
Intermittent	220 V AC	TERMES0502
Intermittent	24V DC	TERMES0503
Intermittent	220 V AC	TERMES0504
Intermittent	24V DC	TERMES0505

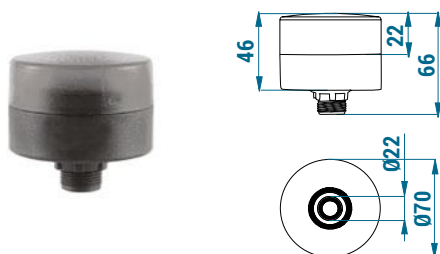
Mini Electronic Sirens



Diameter	70 mm
Sound	1 melody
Volume	85-105 dB
Mounting types	Surface & wall
Markings and homologations	CE EAC RoHS

Type	Power supply*	Code
Continuous	24V DC	TERMES0700
Continuous	40-250 V AC/DC	TERMES0701
Intermittent	24 V DC	TERMES0702
Intermittent	40-250 V AC/DC	TERMES0703

22 mm Hole Mounted Mini Electronic Sirens



Diameter	70 mm
Sound	1 melody
Volume	90-100 dB
Mounting types	M22 nut connection
Markings and homologations	CE EAC RoHS

Type	Power supply*	Code
Continuous	24V DC	TERMES0800
Continuous	40-250 V AC/DC	TERMES0801
Intermittent	24 V DC	TERMES0802
Intermittent	40-250 V AC/DC	TERMES0803

* 24 V AC/DC on request

ELECTRONIC SIRENS - SPARE PARTS

Description	Category	Colour	Code
Ø70 ABS Mini cover	Mini Series	Black	TERMSP0200
Ø70 PC cover	Mini Series	Black	TERMSP0201
10 cm Metal extension tube	Mini Series	Grey	TERMSP0800T10
20 cm Metal extension tube	Mini Series	Grey	TERMSP0800T20
30 cm Metal extension tube	Mini Series	Grey	TERMSP0800T30
ABS Foldable base	Beacon Horn	Black	TERMSP0501
ABS Wall bracket	Beacon Horn	Black	TERMSP0502
Ø70 Metal wall bracket	Beacon Horn	Black	TERMSP0604

OBSTRUCTION LIGHTS

Low-intensity Type B Obstruction Lights manufactured in compliance with ICAO (Annex 14) Standards.

Depending on the level of light, thanks to a specific twilight sensor*, they activate in the dark and deactivate in the daylight, without considering any temporary loss of light within 30 seconds and eliminating the light illusion.

They provide NO and NC relay outputs in case of 30% light loss and power failure.

Suitable for making skyscrapers, towers, and wind turbines visible to passing aircraft, featuring a 360° view range from 10 Km.



CERTIFICATIONS

Conformity to Community Directives	2014/35/UE Low Voltage Directive
Conformity to CE Standards	EN 60598-1 Luminaires - General requirements and tests
	EN 60529-1 Degrees of protection provided by enclosures
Markings and homologations	CE EAC RoHS

* The presence of the twilight sensor is provided as standard. 24/7 operation of the light is a function that must be explicitly requested.

GENERAL TECHNICAL SPECIFICATIONS

Ambient temperature	Operational -20°C/+50°C
IP protection degree	IP 65
Materials	Lens: Polycarbonate
	Housing: ABS, metal
Lens Diameter	100 mm and 125 mm
LED module type	SMD
LED life duration	50,000 hrs
Light colours	Red, green, yellow, blue, white
Light modes	Steady, flashing, strobing
Voltage options	12 V DC
	24 V DC
	48 V DC
	85-250 V AC/DC
Mounting types	Surface & wall
Protection	Resistant to water, dust, heat and UV rays
Visibility distance	10 Km
Visibility degree	360°
Option	Wireless (only for Solar Obstruction Light)
Warranty	2 Years

STANDARD CODES AND OVERALL DIMENSIONS (mm)

100 Obstruction Lights



Lens Diameter	100 mm
Light colours	Red, green, yellow, blue, white
Light modes	Steady, flashing, strobing
Housing	ABS
Mounting types	Surface & wall
Markings and homologations	CE ENEC RoHS

Light	Power supply	Code
3 modes	12 V DC	TERMOL0100#
3 modes	24 V DC	TERMOL0101#
3 modes	48 V DC	TERMOL0102#
3 modes	85-250 V AC/DC	TERMOL0103#

Please, specify the colour code within your orders by inserting the corresponding letter of the chosen colour instead of the character "#".

R = Red (R)

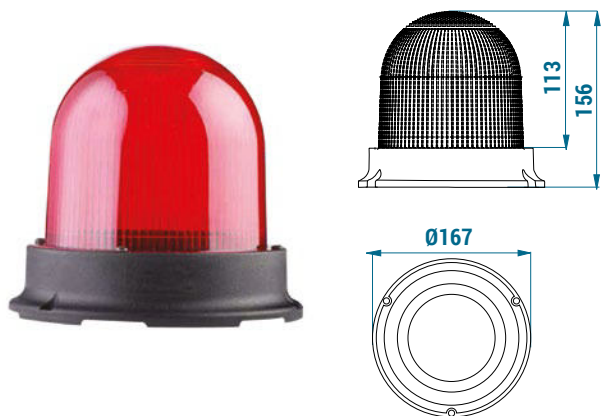
G = Green (G)

Y = Yellow (Y)

B = Blue (B)

W = White (W)

125 Obstruction Lights



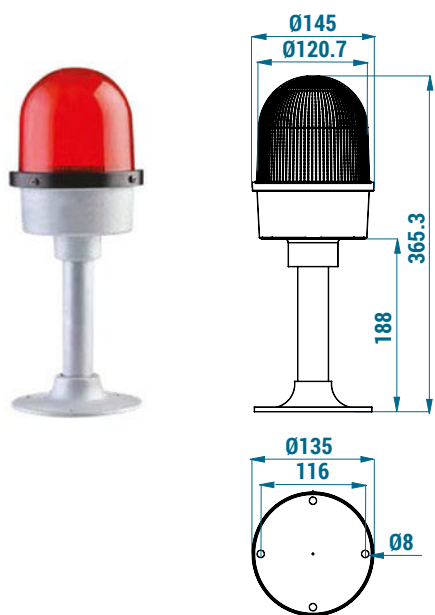
Lens Diameter	125 mm
Light colours	Red, green, yellow, blue, white
Light modes	Steady, flashing, strobing
Housing	ABS
Mounting types	Surface & wall
Markings and homologations	CE ENEC RoHS

Light	Power supply	Code
3 modes	12 V DC	TERMOL0200#
3 modes	24 V DC	TERMOL0201#
3 modes	48 V DC	TERMOL0202#
3 modes	85-250 V AC/DC	TERMOL0203#

Please, specify the colour code within your orders by inserting the corresponding letter of the chosen colour instead of the character "#".

- R** = Red (R)
- G** = Green (G)
- Y** = Yellow (Y)
- B** = Blue (B)
- W** = White (W)

Base Mounted Obstruction Lights



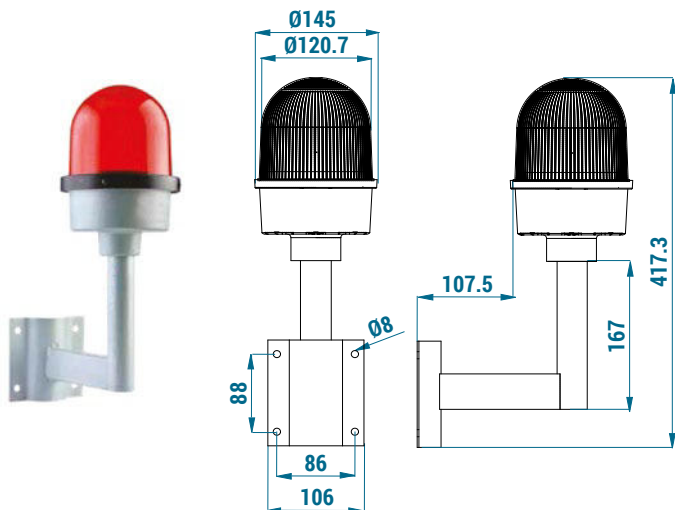
Lens Diameter	125 mm
Light colours	Red, green, yellow, blue, white
Light modes	Steady, flashing, strobing
Housing	Metal
Mounting types	Surface
Markings and homologations	CE ENEC RoHS

Light	Power supply	Code
3 modes	12 V DC	TERMOL0300#
3 modes	24 V DC	TERMOL0301#
3 modes	48 V DC	TERMOL0302#
3 modes	85-250 V AC/DC	TERMOL0303#

Please, specify the colour code within your orders by inserting the corresponding letter of the chosen colour instead of the character "#".

- R** = Red (R)
- G** = Green (G)
- Y** = Yellow (Y)
- B** = Blue (B)
- W** = White (W)

Single Arm Obstruction Lights



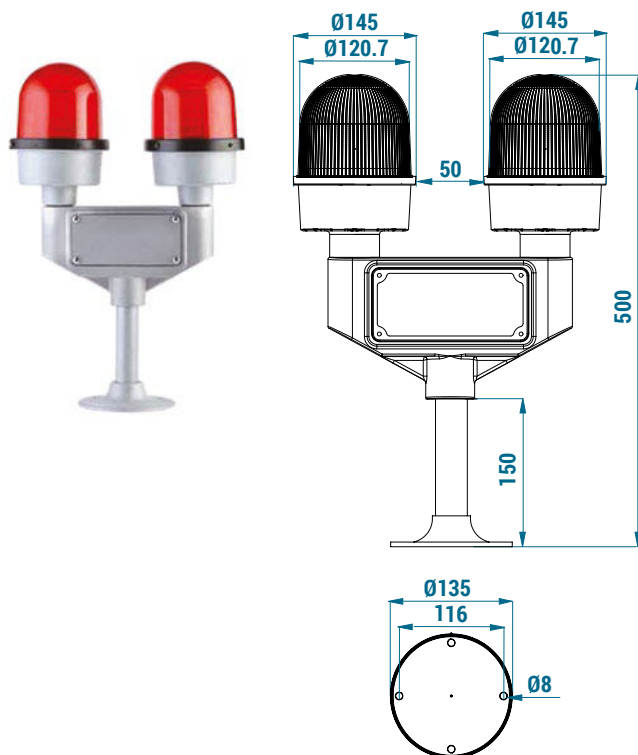
Lens Diameter	125 mm
Light colours	Red, green, yellow, blue, white
Light modes	Steady, flashing, strobing
Housing	Metal
Mounting types	Wall
Markings and homologations	CE ENEC RoHS

Light	Power supply	Code
3 modes	12 V DC	TERMOL0400#
3 modes	24 V DC	TERMOL0401#
3 modes	48 V DC	TERMOL0402#
3 modes	85-250 V AC/DC	TERMOL0403#

Please, specify the colour code within your orders by inserting the corresponding letter of the chosen colour instead of the character "#".

- R** = Red (R)
- G** = Green (G)
- Y** = Yellow (Y)
- B** = Blue (B)
- W** = White (W)

Dual Arm Obstruction Lights



Lens Diameter	125 mm
Light colours	Red, green, yellow, blue, white
Light modes	Steady, flashing, strobing
Housing	Metal
Mounting types	Surface
Markings and homologations	CE ENEC RoHS

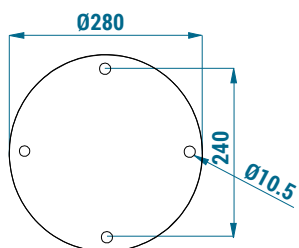
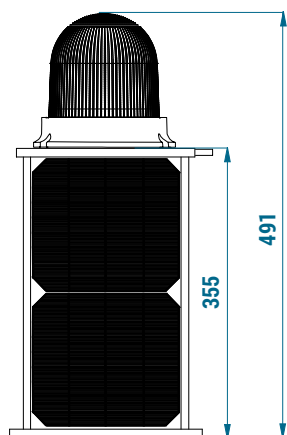
A single lamp operates in the Dual Obstruction Lights. In case of 30% light loss or damage, the other lamp turns on automatically.

Light	Power supply	Code
3 modes	12 V DC	TERMOL0500#
3 modes	24 V DC	TERMOL0501#
3 modes	48 V DC	TERMOL0502#
3 modes	85-250 V AC/DC	TERMOL0503#

Please, specify the colour code within your orders by inserting the corresponding letter of the chosen colour instead of the character "#".

- R** = Red (R)
- G** = Green (G)
- Y** = Yellow (Y)
- B** = Blue (B)
- W** = White (W)

Base Mounted Solar Obstruction Lights



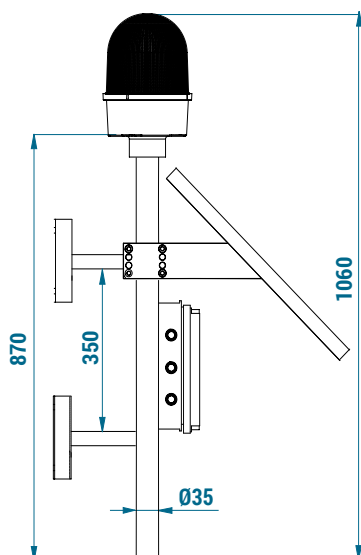
Lens Diameter	125 mm
Light colours	Red, green, yellow, blue, white
Light modes	Flashing
Housing	ABS / Metal
Mounting types	Surface
Power supply	20 W Solar panel
Markings and homologations	CE ENEC RoHS

Light	Power supply	Code
Flashing	Solar energy	TERMOL0600#

Please, specify the colour code within your orders by inserting the corresponding letter of the chosen colour instead of the character "#".

- R** = Red (R)
- G** = Green (G)
- Y** = Yellow (Y)
- B** = Blue (B)
- W** = White (W)

Base Mounted Solar Obstruction Lights



Lens Diameter	125 mm
Light colours	Red, green, yellow, blue, white
Light modes	Flashing
Housing	Metal
Mounting types	Wall
Power supply	20 W Solar panel
Markings and homologations	CE ENEC RoHS

Light	Power supply	Code
Flashing	Solar energy	TERMOL0700#

Please, specify the colour code within your orders by inserting the corresponding letter of the chosen colour instead of the character "#".

- R** = Red (R)
- G** = Green (G)
- Y** = Yellow (Y)
- B** = Blue (B)
- W** = White (W)

OBSTRUCTION LIGHTS - SPARE PARTS

Description	Category	Colour	Code
Ø125 PC-Lens	Obstruction Light	Red	TERMSP0100R
Ø125 PC-Lens	Obstruction Light	Green	TERMSP0100G
Ø125 PC-Lens	Obstruction Light	Yellow	TERMSP0100Y
Ø125 PC-Lens	Obstruction Light	Blue	TERMSP0100B
Ø125 PC-Lens	Obstruction Light	White	TERMSP0100W
Metal wall bracket	Obstruction Light	Grey	TERMSP0400
Metal surface bracket	Obstruction Light	Grey	TERMSP0401

HEAVY DUTY WARNING LIGHTS

Matching of industrial illuminated sirens, warning lamps and electronic sirens, resistant to harsh weather conditions. Designed to operate in the most severe conditions in industrial areas.

Featuring a potentiometer to adjust the volume intensity and a pushbutton for selecting between the different available light and sound versions.



CERTIFICATIONS

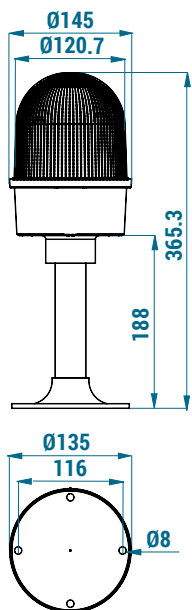
Conformity to Community Directives	2014/35/UE Low Voltage Directive
Conformity to CE Standards	EN 60598-1 Luminaires - General requirements and tests
	EN 60529-1 Degrees of protection provided by enclosures
Markings and homologations	CE ENEC RoHS

GENERAL TECHNICAL SPECIFICATIONS

Ambient temperature	Operational -20°C/+50°C
IP protection degree	IP 65
Materials	Lens: Polycarbonate
	Housing: ABS, metal
Lens Diameter	125 mm
LED module type	3 W Power
LED life duration	50,000 hrs
Light colours	Red, green, yellow, blue, white
Light modes	Steady, flashing, strobing, rotary
Sound	7 / 10 melodies
Volume	90 - 133 dB
Sound and Light control	Separate control available
	12-24 V AC/DC
	12-30 V AC/DC
	48 V DC
Voltage options	85-250 V AC/DC
Mounting types	Surface & wall
Protection	Resistant to water, dust, heat and UV rays
Warranty	2 Years

STANDARD CODES AND OVERALL DIMENSIONS (mm)

Heavy Duty Warning Lights TERMHD01 series



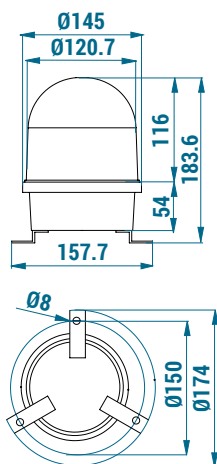
Lens Diameter	125 mm
LED module type	3 W Power
Light colours	Red, green, yellow, blue, white
Light modes	Strobing
Sound	10 melodies
Housing	Metal
Mounting types	Surface
Protection cage against strokes	Yes
Markings and homologations	CE EAC RoHS

Buzzer	Protection cage	Power supply	Code
/	/	12-24 V AC/DC	TERMHD0100#
/	/	85-250 V AC/DC	TERMHD0101#
90-126 dB	/	12-24 V AC/DC	TERMHD0102#
90-126 dB	/	85-250 V AC/DC	TERMHD0103#
/	Yes	12-24 V AC/DC	TERMHD0104#
/	Yes	85-250 V AC/DC	TERMHD0105#
90-126 dB	Yes	12-24 V AC/DC	TERMHD0106#
90-126 dB	Yes	85-250 V AC/DC	TERMHD0107#

Please, specify the colour code within your orders by inserting the corresponding letter of the chosen colour instead of the character "#".

- R** = Red (R)
- G** = Green (G)
- Y** = Yellow (Y)
- B** = Blue (B)
- W** = White (W)

Heavy Duty Warning Lights TERMHD02 series



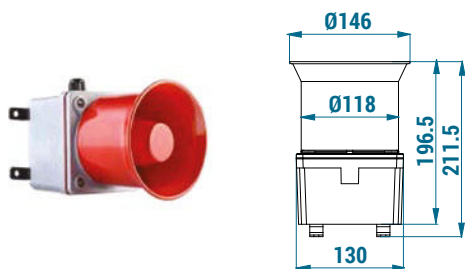
Lens Diameter	125 mm
LED module type	3 W Power
Light colours	Red, green, yellow, blue, white
Light modes	Strobing
Sound	10 melodies
Housing	Metal
Mounting types	Surface & wall
Protection cage against strokes	Yes
Markings and homologations	CE EAC RoHS

Buzzer	Protection cage	Power supply	Code
/	/	12-24 V AC/DC	TERMHD0200#
/	/	85-250 V AC/DC	TERMHD0201#
90-126 dB	/	12-24 V AC/DC	TERMHD0202#
90-126 dB	/	85-250 V AC/DC	TERMHD0203#
/	Yes	12-24 V AC/DC	TERMHD0204#
/	Yes	85-250 V AC/DC	TERMHD0205#
90-126 dB	Yes	12-24 V AC/DC	TERMHD0206#
90-126 dB	Yes	85-250 V AC/DC	TERMHD0207#

Please, specify the colour code within your orders by inserting the corresponding letter of the chosen colour instead of the character "#".

- R** = Red (R)
- G** = Green (G)
- Y** = Yellow (Y)
- B** = Blue (B)
- W** = White (W)

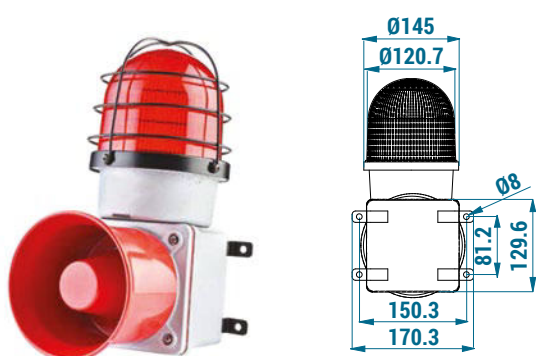
Heavy Duty Warning Sirens TERMHD03 series



Sound	7 melodies
Housing	Metal
Mounting types	Surface & wall
Markings and homologations	CE EAC RoHS

Buzzer	Power supply	Code
125-133 dB	12-30 V DC	TERMHD0300
125-133 dB	48 V DC	TERMHD0301
125-133 dB	85-250 V AC/DC	TERMHD0302

Heavy Duty Beacon Sirens TERMHD04 series



Lens Diameter	125 mm
LED module type	3 W Power
Light colours	Red, green, yellow, blue, white
Light modes	Strobing
Sound	7 melodies
Housing	Metal
Mounting types	Surface & wall
Protection cage against strokes	Yes
Markings and homologations	CE EAC RoHS

Buzzer	Protection cage	Power supply	Code
125-133 dB	Yes	12-30 V DC	TERMHD0400#
125-133 dB	Yes	48 V DC	TERMHD0401#
125-133 dB	Yes	85-250 V AC/DC	TERMHD0402#

Please, specify the colour code within your orders by inserting the corresponding letter of the chosen colour instead of the character "#".

R = Red (R)

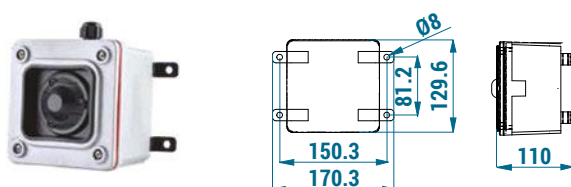
G = Green (G)

Y = Yellow (Y)

B = Blue (B)

W = White (W)

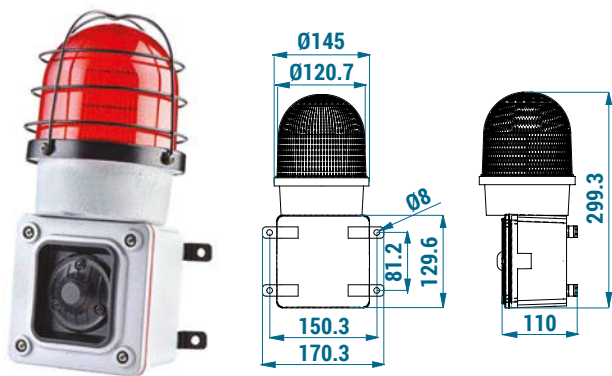
Heavy Duty Warning Sirens TERMHD05 series



Sound	7 melodies
Housing	Metal
Mounting types	Surface & wall
Markings and homologations	CE EAC RoHS

Buzzer	Power supply	Code
125-133 dB	12-30 V DC	TERMHD0500
125-133 dB	48 V DC	TERMHD0501
125-133 dB	85-250 V AC/DC	TERMHD0502

Heavy Duty Beacon Sirens TERMHD06 series



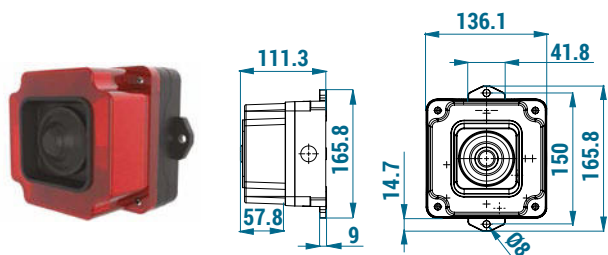
Lens Diameter	125 mm
LED module type	3 W Power
Light colours	Red, green, yellow, blue, white
Light modes	Strobing
Sound	7 melodies
Housing	Metal
Mounting types	Surface & wall
Protection cage against strokes	Yes
Markings and homologations	CE EAC RoHS

Buzzer	Protection cage	Power supply	Code
125-133 dB	Yes	12-30 V DC	TERMHD0600#
125-133 dB	Yes	48 V DC	TERMHD0601#
125-133 dB	Yes	85-250 V AC/DC	TERMHD0602#

Please, specify the colour code within your orders by inserting the corresponding letter of the chosen colour instead of the character "#".

- R** = Red (R)
- G** = Green (G)
- Y** = Yellow (Y)
- B** = Blue (B)
- W** = White (W)

Heavy Duty Beacon Sirens TERMHD07 series



LED module type	SMD LED
Light colours	Red, green, yellow, blue, white
Light modes	Steady, flashing, strobing
Sound	7 melodies
Housing	ABS
Mounting types	Wall
Markings and homologations	CE EAC RoHS

Buzzer	Power supply	Code
125-133 dB	12-30 V DC	TERMHD0700#
125-133 dB	48 V DC	TERMHD070#
125-133 dB	85-250 V AC/DC	TERMHD0702#

Please, specify the colour code within your orders by inserting the corresponding letter of the chosen colour instead of the character "#".

- R** = Red (R)
- G** = Green (G)
- Y** = Yellow (Y)
- B** = Blue (B)
- W** = White (W)

HEAVY DUTY WARNING LIGHTS - SPARE PARTS

Description	Category	Colour	Code
Ø125 PC-Lens	Heavy-Duty Sirens	Red	TERMSPO100R
Ø125 PC-Lens	Heavy-Duty Sirens	Green	TERMSPO100G
Ø125 PC-Lens	Heavy-Duty Sirens	Yellow	TERMSPO100Y
Ø125 PC-Lens	Heavy-Duty Sirens	Blue	TERMSPO100B
Ø125 PC-Lens	Heavy-Duty Sirens	White	TERMSPO100W
Ø125 Metal protection cage	Heavy-Duty Sirens	Grey	TERMSPO700
Metal surface bracket	Heavy-Duty Sirens	Grey	TERMSPO401

CRANE & FORKLIFT SAFETY LIGHTS

Suitable to be mounted on cranes and forklifts, they provide the operators with a better control over the load and increase their safety at work, especially in crowded workspaces.



CERTIFICATIONS

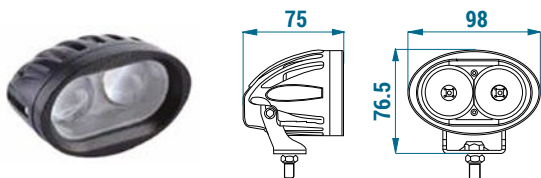
Conformity to Community Directives	2014/35/UE Low Voltage Directive
Conformity to CE Standards	EN 60598-1 Luminaires - General requirements and tests
	EN 60529-1 Degrees of protection provided by enclosures
Markings and homologations	CE ENEC RoHS

GENERAL TECHNICAL SPECIFICATIONS

Ambient temperature	Operational -20°C/+50°C
IP protection degree	IP 67
	IP 68
Materials	Lens: Polycarbonate Glass, Tempered Glass
	Housing: Metal
LED module type	Power LED
LED life duration	50,000 hrs
Light colours	Red, blue, white
Light modes	Steady, Steady Point Light, Steady Line Light
Voltage options	12-30 V DC
	10-30 V DC
	10-48 V DC
	10-60 V DC
	10-80 V DC
Mounting types	Machinery, forklift, crane mount
Protection	Resistant to water, dust, heat and UV rays
Warranty	2 Years

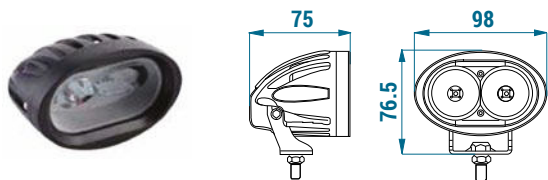
STANDARD CODES AND OVERALL DIMENSIONS (mm)

10W Forklift Safety Lights TERMSF01 series



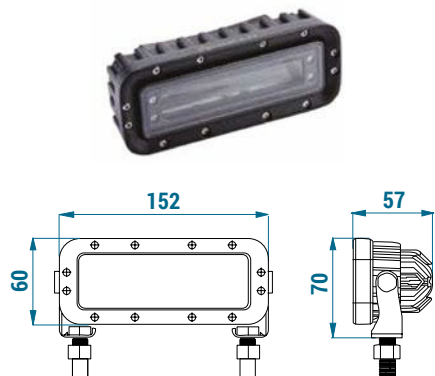
Light colour	Light shape	Protection Rate	Power supply	Code
Red	Point ●	IP 67	10-60 V DC	TERMSF0100
Blue	Point ●	IP 67	10-48 V DC	TERMSF0101



10W Forklift Safety Lights TERMSF02 series



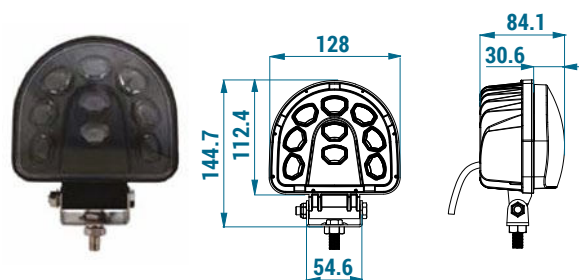
Light colour	Light shape	Protection Rate	Power supply	Code
Red	Line 	IP 67	10-48 V DC	TERMSF0200



18W Forklift Safety Lights



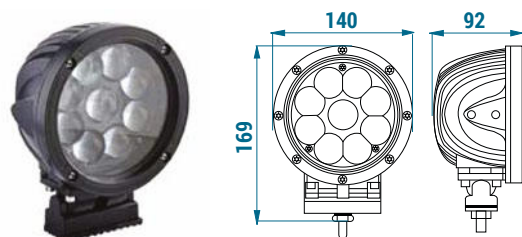
Light colour	Light shape	Protection Rate	Power supply	Code
Red	Line 	IP 67	10-80 V DC	TERMSF0300
Blue	Line 	IP 67	10-80 V DC	TERMSF0301



27W Forklift Safety Lights



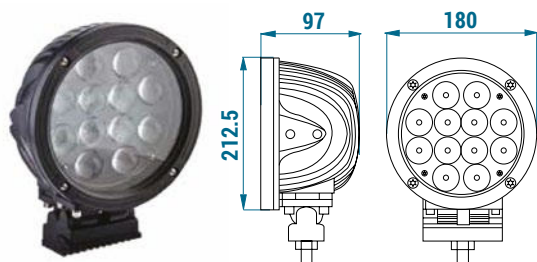
Light colour	Light shape	Protection Rate	Power supply	Code
Red	U-Shape 	IP 67	10-80 V DC	TERMSF0400
Blue	U-Shape 	IP 67	10-80 V DC	TERMSF0401



45W Crane Safety Lights



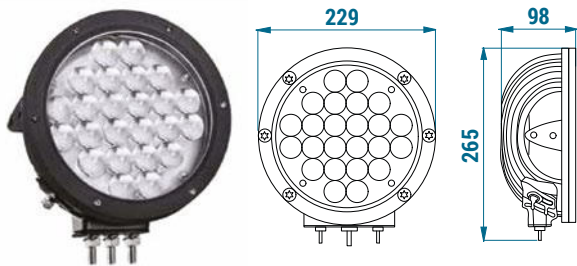
Light colour	Light shape	Protection Rate	Power supply	Code
Red	Point 	IP 68	12-30 V DC	TERMSF0500
Blue	Point 	IP 68	12-30 V DC	TERMSF0501

60W Crane Safety Lights



Light colour	Light shape	Protection Rate	Power supply	Code
Red	Point 	IP 68	12-30 V DC	TERMSF0600
Blue	Point 	IP 68	12-30 V DC	TERMSF0601

120W Crane Safety Lights



Light colour	Light shape	Protection Rate	Power supply	Code
Red	Point ●	IP 68	10-30 V DC	TERMSF0700
Blue	Point ●	IP 68	10-30 V DC	TERMSF0701

MACHINE TOOL LIGHTS

Machine lights for spotlighting of the inside of the machine. Suitable to be mounted on carving, spark and CNC machines, workbenches, laser and ceramic machinery, medical and automatic equipment.



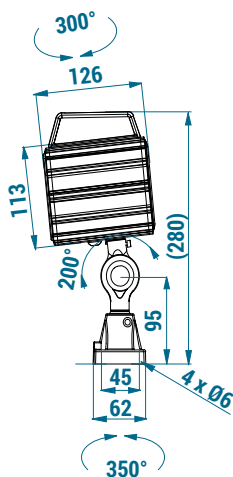
CERTIFICATIONS

Conformity to Community Directives	2014/35/UE Low Voltage Directive
Conformity to CE Standards	EN 60598-1 Luminaires - General requirements and tests
	EN 60529-1 Degrees of protection provided by enclosures
Markings and homologations	CE ENEC RoHS

GENERAL TECHNICAL SPECIFICATIONS

Ambient temperature	Operational -20°C/+50°C
IP protection degree	IP 67
Materials	Lens: Tempered Glass
	Housing: Aluminum
LED module type	Power LED
LED life duration	100,000 hrs
Light colours	White
Voltage options	24 V AC/DC
Power	10 W
Mounting types	Machinery
Protection	Resistant to water, dust, heat and UV rays
Warranty	2 Years

STANDARD CODES AND OVERALL DIMENSIONS (mm)



Light colour	Light shape	Protection Rate	Power supply	Code
Red	Point	IP 67	24 V AC/DC	TERMMT0100

MOTOR AND ALARM SIRENS

Motor sirens featuring powerful low-frequency sound, designed to effectively alert large areas by an immediately recognizable sound.

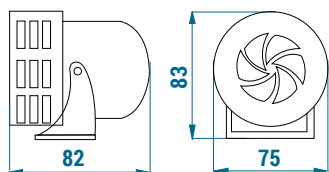


CERTIFICATIONS

Conformity to Community Directives	2014/35/UE Low Voltage Directive
Conformity to CE Standards	EN 60598-1 Luminaires - General requirements and tests
	EN 60529-1 Degrees of protection provided by enclosures
Markings and homologations	CE

STANDARD CODES AND OVERALL DIMENSIONS (mm)

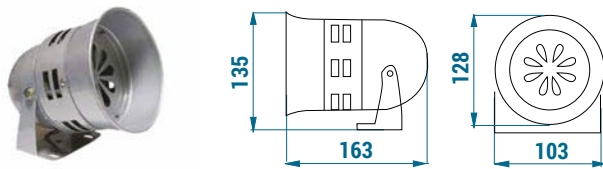
Motor Sirens TERMMS01 series



Ambient temperature	Operational -20°C/+40°C
IP protection degree	IP 44
Housing material	Metal
Volume	108 dB
Frequency	50/60 Hz
Cycle	1000 rpm
Max. duration of use	3 min.

Power supply	Power output	Current	Code
24 V DC	40 W	2.5 A	TERMMS0100
220 V AC	40 W	0.5 A	TERMMS0101

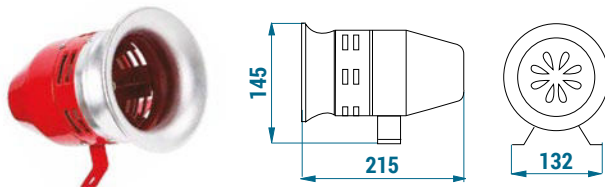
Motor Sirens TERMMS02 series



Ambient temperature	Operational -20°C/+40°C
IP protection degree	IP 44
Housing material	Metal - plastic
Volume	112 dB
Frequency	50/60 Hz
Cycle	5000 rpm
Max. duration of use	3 min.

Power supply	Power output	Current	Code
24 V DC	40 W	3 A	TERMMS0200
220 V AC	40 W	0.8 A	TERMMS0201

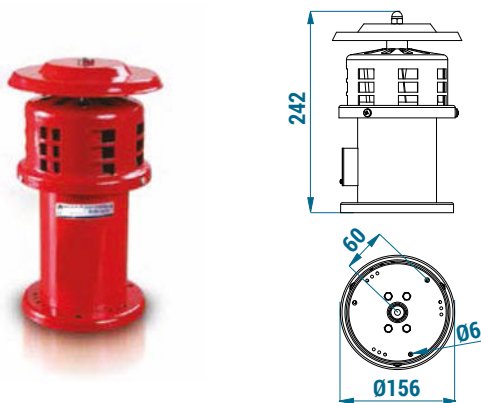
Motor Sirens TERMMS03 series



Ambient temperature	Operational -20°C/+40°C
IP protection degree	IP 44
Housing material	Metal
Volume	130 dB
Frequency	50/60 Hz
Cycle	10000 rpm
Max. duration of use	3 min.

Power supply	Power output	Current	Code
24 V DC	65 W	3 A	TERMMS0300
220 V AC	65 W	0.65 A	TERMMS0301

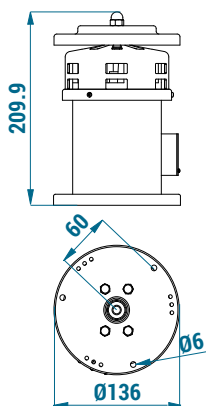
Motor Sirens TERMMS04 series



Ambient temperature	Operational -20°C/+40°C
IP protection degree	IP 40
Housing material	Metal
Volume	105 dB
Frequency	50 Hz
Cycle	16000 rpm
Max. duration of use	3 min.

Power supply	Power output	Current	Code
220 V AC	250 W	1.25 A	TERMMS0400

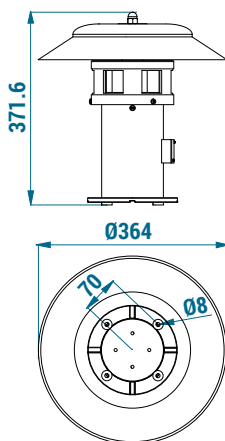
Motor Sirens TERMMS05 series



Ambient temperature	Operational -20°C/+40°C
IP protection degree	IP 40
Housing material	Metal
Volume	110 dB
Frequency	50 Hz
Cycle	12000 rpm
Max. duration of use	3 min.

Power supply	Power output	Current	Code
220 V AC	300 W	1.5 A	TERMMS0500

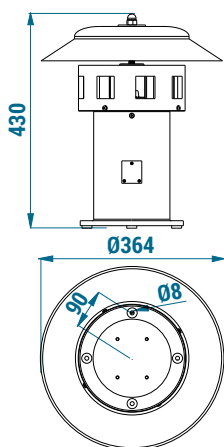
Motor Sirens TERMMS06 series



Ambient temperature	Operational -20°C/+40°C
IP protection degree	IP 44
Housing material	Metal
Volume	115 dB
Frequency	50 Hz
Cycle	8000 rpm
Max. duration of use	3 min.

Power supply	Power output	Current	Code
220 V AC	350 W	1.7 A	TERMMS0600

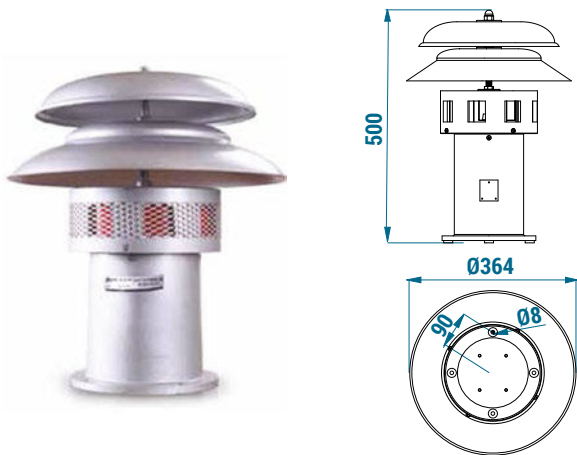
Motor Sirens TERMMS07 series



Ambient temperature	Operational -20°C/+40°C
IP protection degree	IP 44
Housing material	Metal
Volume	120 dB
Frequency	50 Hz
Cycle	6000 rpm
Max. duration of use	3 min.

Power supply	Power output	Current	Code
220 V AC	300 W	1.7 A	TERMMS0700

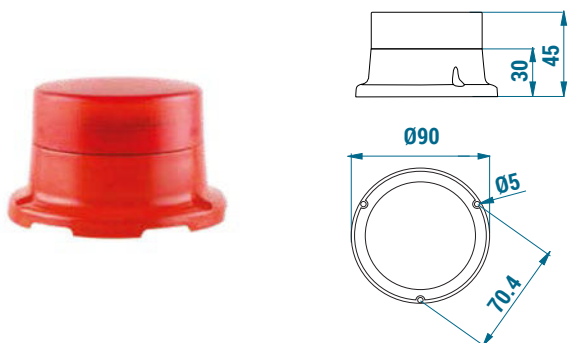
Motor Sirens TERMMS08 series



Ambient temperature	Operational -20°C/+40°C
IP protection degree	IP 44
Housing material	Metal
Volume	130 dB
Frequency	50 Hz
Cycle	4500 rpm
Max. duration of use	3 min.

Power supply	Power output	Current	Code
220 V AC	350 W	1.8 A	TERMMS0800

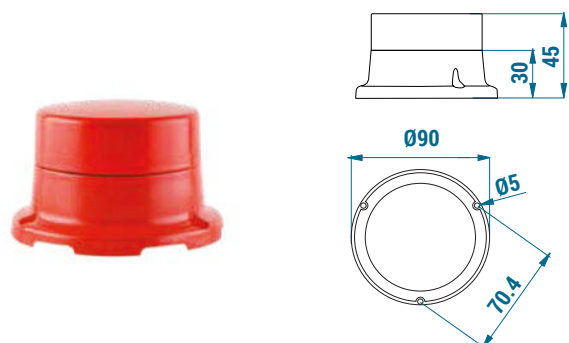
LED Warning Sirens



IP protection degree	IP 65
Housing material	ABS/PC
Volume	100 dB
Light mode	Flashing

Power supply	Current	Code
220 V AC	95 mA	TERMMS0900
24 V DC	150 mA	TERMMS0901

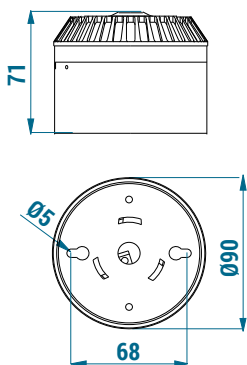
Warning Sirens



IP protection degree	IP 65
Housing material	ABS
Volume	91 dB

Power supply	Current	Code
220 V AC	95 mA	TERMMS1000
24 V DC	150 mA	TERMMS1001

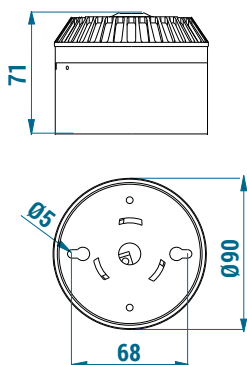
LED Fire Alarm Sirens



IP protection degree	IP 21
Housing material	ABS
Volume	90-100 dB
Light mode	Flashing

Power supply	Power	Current	Code
220 V AC	/	98 mA	TERMMS1100
24 V DC	0.96 W	40 mA	TERMMS1101

Fire Alarm Sirens



IP protection degree	IP 21
Housing material	ABS
Volume	90-100 dB

Power supply	Power	Current	Code
220 V AC	/	50 mA	TERMMS1200
24 V DC	0.48 W	20 mA	TERMMS1201

